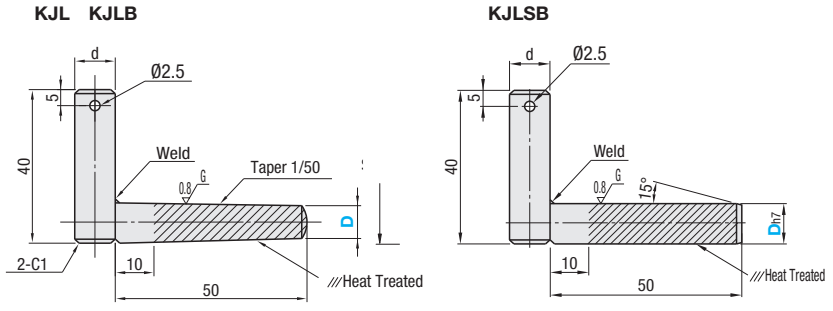


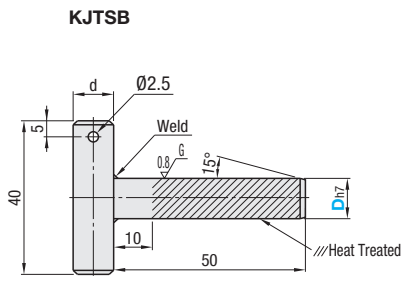
L Pins / T Pins



Type		Material	Surface Treatment	Hardness
Tapered	Straight			
KJL	-	Handle (d dim.) SGD3	Electroless Nickel Plating	23-33HRC
KJLB	KJLSB	Pin (D dim.) S45CF	Black Oxide	



Type	Material	Surface Treatment	Hardness
KJTSB	Handle (d dim.) SGD3 Pin (D dim.) S45CF	Black Oxide	23-33HRC



Part Number		d	Unit Price			
Type	D		L Pin			T Pin
			KJL	KJLB	KJLSB	KJTSB
KJL	6	7				
KJLB	8	9				
KJLSB KJTSB	10	11				

Ordering Example

Part Number

KJL6
KJTSB8