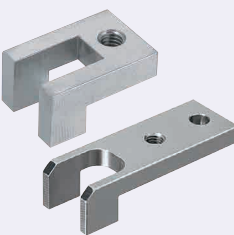


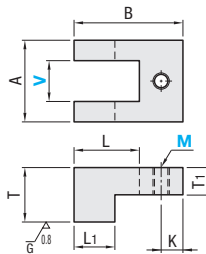
Components for Toggle Clamps

Two-Pronged Clamp Arms, Clamp Arm Extension Kits, Clamp Brackets

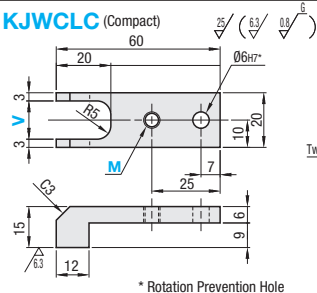
Two-Pronged Clamp Arms



KJWCL (Standard)

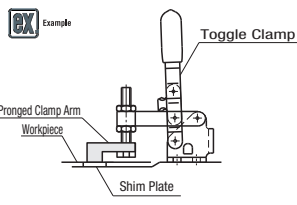


KJWCLC (Compact)



* Rotation Prevention Hole

Example




Toggle Clamp
Two-Pronged Clamp Arm
Workpiece
Shim Plate

M Material: SS400

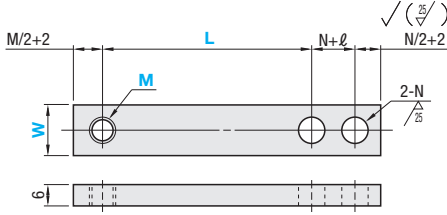
Part Number Type	V	M Selection				A	B	L	L ₁	K	T	T ₁	Unit Price
		4	6	8	10								
KJWCL	10	4	6	8	10	20	30	18	10	6	15	7	
	15	6	8	10	12	30	40	24	15	8	20	10	
	20	8	10	12	14	40	50	30	20	10	25	12	
KJWCLC	14	4	6	8		(Described in the Drawing)							

Clamp Arm Extension Kits



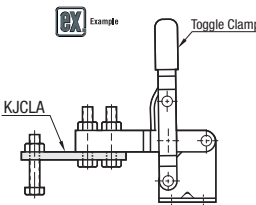
RoHS10

KJCLA



M	N	ℓ
4	4.5	10
5	5.5	10
6	6.5	12
8	9	15
10	11	18

Example




Toggle Clamp
KJCLA

M Material: SS400

Part Number Type	W	L Selection						M Selection		Unit Price									
		L10	L20	L30	L40	L50	L60	4	5	6	8	10	-	-	-	-	-	-	
KJCLA	10	10	20	30	40	50	60	4	5	6	8	10	-	-	-	-	-	-	-
	16																		

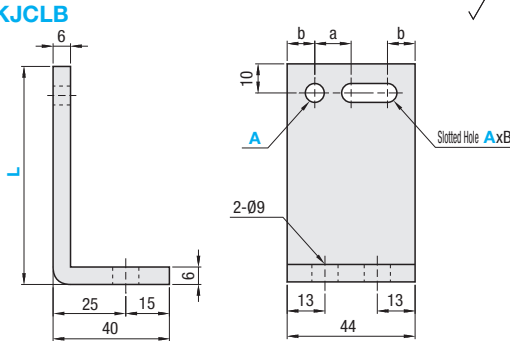
* M6, 8 or 10 is not selectable for L10. (due to an interference with the holes or the mounted bolt nuts)

Clamp Brackets

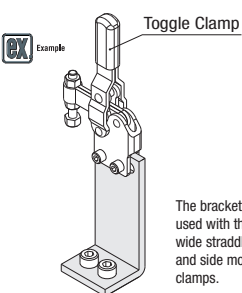


RoHS10

KJCLB



Example



Toggle Clamp

The bracket can be used with the 6mm wide straddling clamps and side mount type clamps.

M Material: SS400 Black

Part Number Type	No.	L Selection					Hole Dia.		Hole Pitch		Unit Price				
		50	75	100	125	150	A Selection	B	a	b	L50	L75	L100	L125	L150
KJCLB	6	50	75	100	125	150	6.5	19	13.5	9	480	550	660	750	860
							8.5	21	12.5	9.5					

Ordering Example

Part Number - L - M - A

KJWCLC14 - L60 - M6 - A6.5

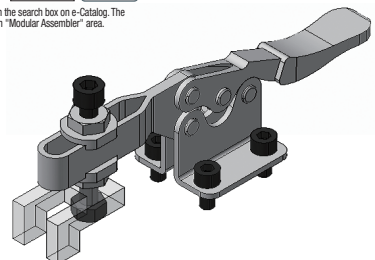
KJCLA10 - L60 - M6 - A6.5

KJCLB6 - L100 - M6 - A6.5

Example Combination of these app. examples can be selected on our website.
Selection Procedure Details **P87**

e-Catalog Search Keyword **#MA551** **#MA551**

* Enter the search keyword in the search box on e-Catalog. The search result will be shown in "Modular Assembly" area.



Alterations Part Number - L - M - A - (STC) Express Service is not available.

Alterations	Code	Spec.
Additional Surface Treatment	STC	Adds black oxide surface treatment.