


■ Features: MC07-11 and MC07-13, each having a shorter vertical base length, require smaller installation space.
 ■ Features: MC07-12, having the same shape as MC07-6 (P.1810), is larger in size and clamping force and longer in stroke.

1N=0.101972N


Side Push (Flange Base)



(Clamped)
* Shaft: Nickel Plating

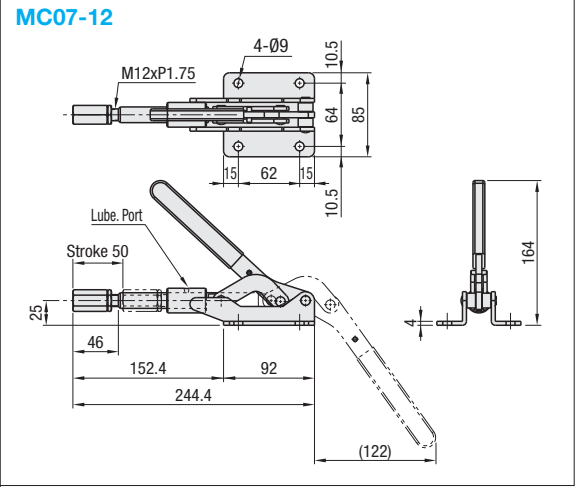
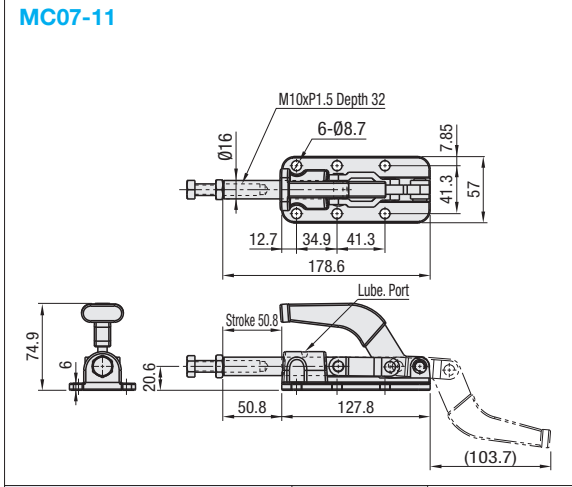
Part Number	MC07-11
Body Material	SS400
Surface Treatment	* Trivalent Chromate
Stroke (mm)	50.8
Tightening Force (N)	11360
Weight (g)	935
Handle Open-Close Angle	190°
Accessory	Steel Bolt
Unit Price	

Side Push (Flange Base)




(Clamped)
* Shaft: Nickel Plating

Part Number	MC07-12
Body Material	SS400
Surface Treatment	* Trivalent Chromate
Stroke (mm)	50.6
Tightening Force (N)	4540
Weight (g)	965
Handle Open-Close Angle	185°
Accessory	Nut
Unit Price	

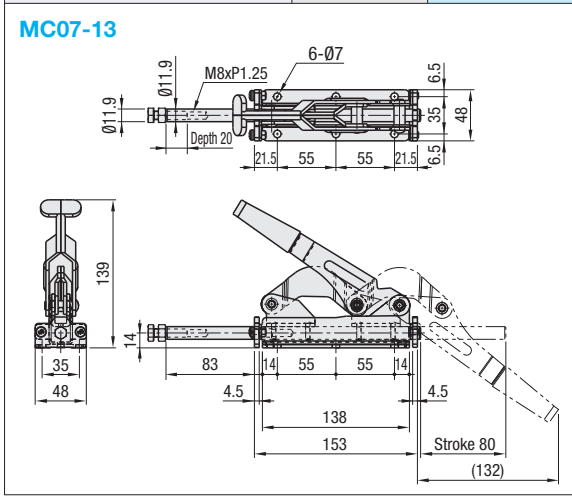
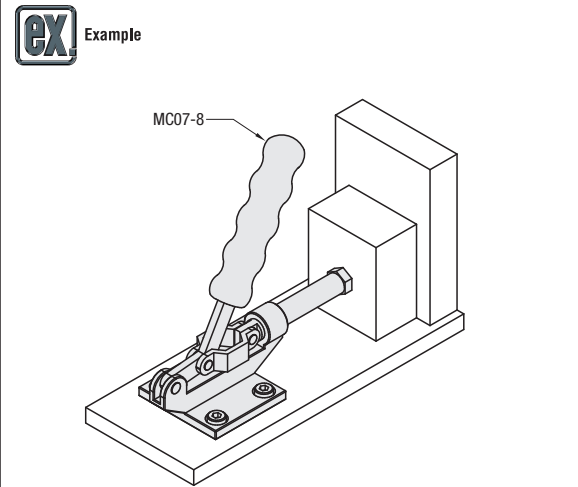


Side Push (Flange Base)



(Clamped)
* Shaft: Nickel Plating

Part Number	MC07-13
Body Material	SS400
Surface Treatment	* Trivalent Chromate
Stroke (mm)	80
Tightening Force (N)	3000
Weight (g)	1000
Handle Open-Close Angle	184°
Accessory	Steel Bolt
Unit Price	



 Ordering Example **Part Number**
MC07-11