

# Toggle Clamps

## Hold Down, Vertical Handle (Straight Base)

1N=0.101972kgf

### Hold Down, Vertical Handle (Straight Base)



(Clamped)

|                         |  |
|-------------------------|--|
| Part Number             | MC04-6S  |
| Body Material           | SS400  |
| Surface Treatment       | Trivalent Chromate                                 |
| Tightening Force (N)    | 294  |
| Weight (g)              | 40   |
| Arm Open-Close Angle    | 85°  |
| Handle Open-Close Angle | 90°  |
| Accessory               | Bolt with Rubber Material: NBR Hardness: Shore A70 |
| Unit Price              |  |

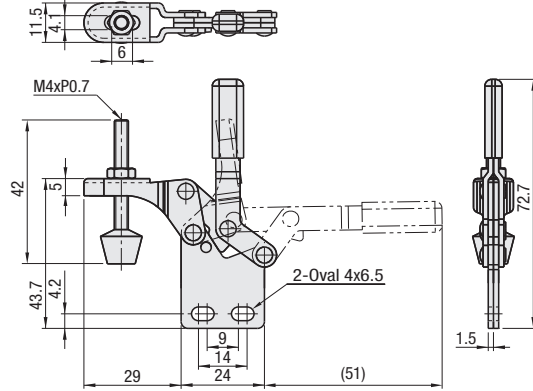
### Hold Down, Vertical Handle (Straight Base)



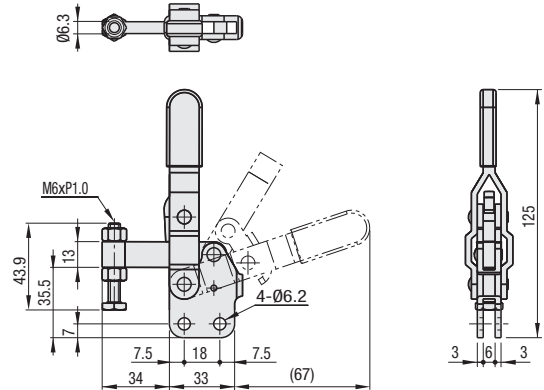
(Clamped)

|                         |                    |
|-------------------------|--------------------|
| Part Number             | MC04-7S            |
| Body Material           | SS400              |
| Surface Treatment       | Trivalent Chromate |
| Tightening Force (N)    | 980                |
| Weight (g)              | 200                |
| Arm Open-Close Angle    | 105°               |
| Handle Open-Close Angle | 67°                |
| Accessory               | Steel Bolt         |
| Unit Price              |                    |

#### MC04-6S



#### MC04-7S



### Hold Down, Vertical Handle (Straight Base)



(Clamped)

|                         |                    |
|-------------------------|--------------------|
| Part Number             | MC04-8S            |
| Body Material           | SS400              |
| Surface Treatment       | Trivalent Chromate |
| Tightening Force (N)    | 1470               |
| Weight (g)              | 370                |
| Arm Open-Close Angle    | 98°                |
| Handle Open-Close Angle | 56°                |
| Accessory               | Steel Bolt         |
| Unit Price              |                    |

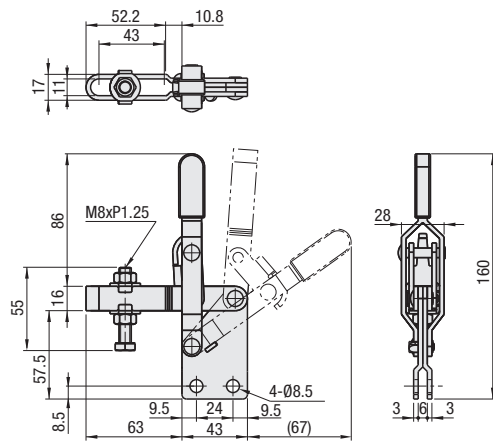
### Hold Down, Vertical Handle (Straight Base)



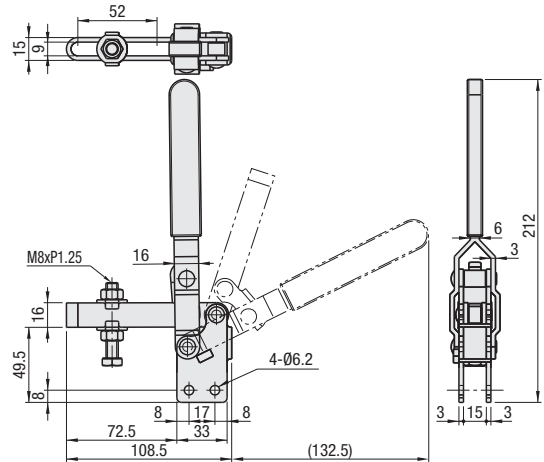
(Clamped)

|                         |                    |
|-------------------------|--------------------|
| Part Number             | MC04-9S            |
| Body Material           | SS400              |
| Surface Treatment       | Trivalent Chromate |
| Tightening Force (N)    | 1960               |
| Weight (g)              | 420                |
| Arm Open-Close Angle    | 108°               |
| Handle Open-Close Angle | 71°                |
| Accessory               | Steel Bolt         |
| Unit Price              |                    |

#### MC04-8S



#### MC04-9S



Ordering Example

Part Number  
MC04-7S



Example Selection Procedure Details P87

Combination of these app. examples can be selected on our website.

e-Catalog Search Keyword #MA471 Search

\* Enter the search keyword in the search box on e-Catalog. The search result will be shown in "Modular Assembler" area.

