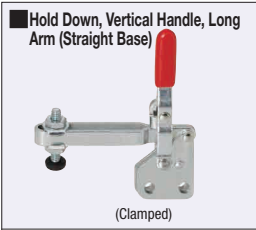


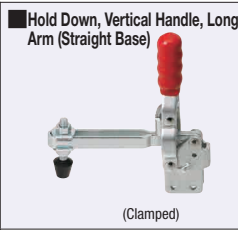
# Toggle Clamps

## Hold Down, Vertical Handle, Long Arm (Straight Base)

1N=0.101972kgf

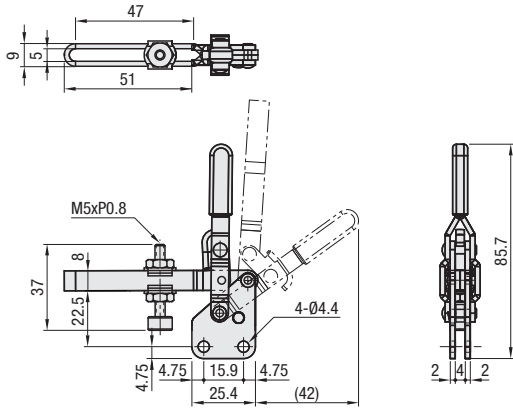


<b>Part Number</b>	<b>MC04-1LS</b>
<b>Body Material</b>	SS400
<b>Surface Treatment</b>	Trivalent Chromate
<b>Tightening Force (N)</b>	186
<b>Weight (g)</b>	75
<b>Arm Open-Close Angle</b>	104°
<b>Handle Open-Close Angle</b>	62°
<b>Accessory</b>	Bolt with Rubber Material: NBR Hardness: Shore A70
<b>Unit Price</b>	

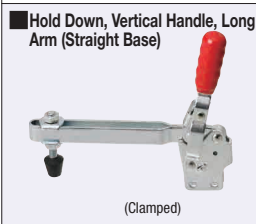
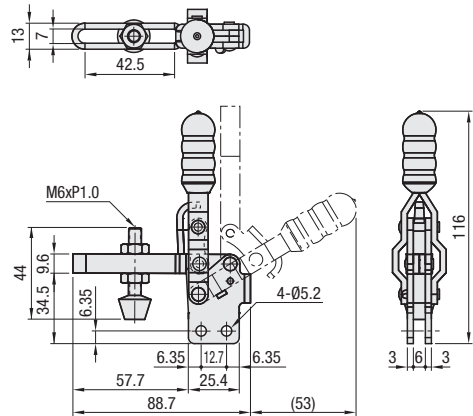


<b>Part Number</b>	<b>MC04-2LS</b>
<b>Body Material</b>	SS400
<b>Surface Treatment</b>	Trivalent Chromate
<b>Tightening Force (N)</b>	392
<b>Weight (g)</b>	175
<b>Arm Open-Close Angle</b>	98°
<b>Handle Open-Close Angle</b>	62°
<b>Accessory</b>	Bolt with Rubber Material: NBR Hardness: Shore A70
<b>Unit Price</b>	

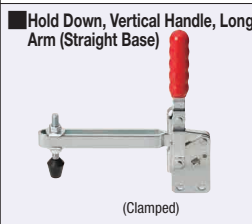
### MC04-1LS



### MC04-2LS

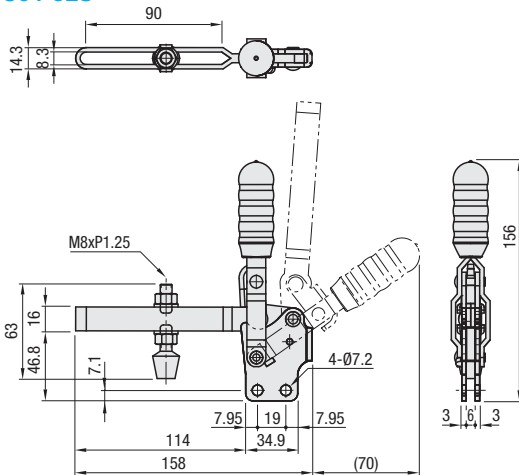


<b>Part Number</b>	<b>MC04-3LS</b>
<b>Body Material</b>	SS400
<b>Surface Treatment</b>	Trivalent Chromate
<b>Tightening Force (N)</b>	784
<b>Weight (g)</b>	370
<b>Arm Open-Close Angle</b>	105°
<b>Handle Open-Close Angle</b>	59°
<b>Accessory</b>	Bolt with Rubber Material: NBR Hardness: Shore A70
<b>Unit Price</b>	

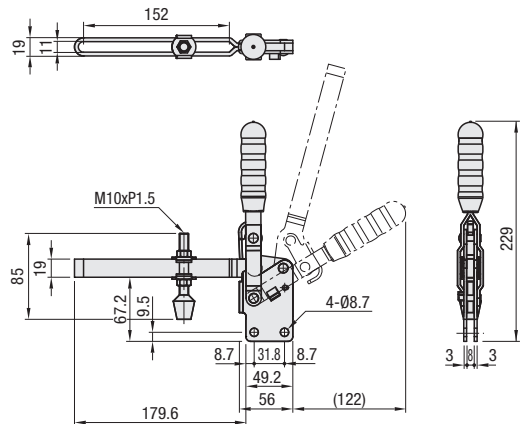


<b>Part Number</b>	<b>MC04-4LS</b>
<b>Body Material</b>	SS400
<b>Surface Treatment</b>	Trivalent Chromate
<b>Tightening Force (N)</b>	1078
<b>Weight (g)</b>	815
<b>Arm Open-Close Angle</b>	118°
<b>Handle Open-Close Angle</b>	73°
<b>Accessory</b>	Bolt with Rubber Material: NBR Hardness: Shore A70
<b>Unit Price</b>	

### MC04-3LS



### MC04-4LS



Ordering Example

**Part Number**  
**MC04-3LS**