

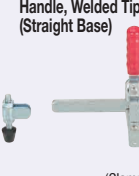



Toggle Clamps

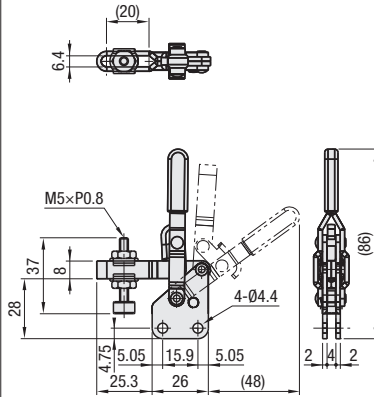
Hold Down, Vertical Handle (Straight Base)

1N=0.101972kgf

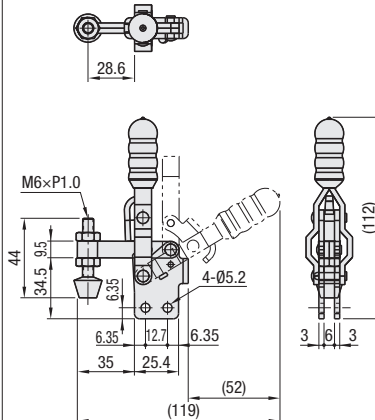
■ Features: MC04-5S is Straight Base, Welded Tip Type.

■ Hold Down, Vertical Handle (Straight Base)		■ Hold Down, Vertical Handle (Straight Base)		■ Hold Down, Vertical Handle, Welded Tip (Straight Base)		■ Hold Down, Vertical Handle, Welded Tip (Straight Base)	
	Part Number MC04-1S		Part Number MC04-2S		Part Number MC04-5S		Part Number MC04-3S
	Body Material SS400		Body Material SS400		Body Material SS400		Body Material SS400
	Surface Treatment Trivalent Chromate		Surface Treatment Trivalent Chromate		Surface Treatment Trivalent Chromate		Surface Treatment Trivalent Chromate
	Tightening Force (N) 441		Tightening Force (N) 882		Tightening Force (N) 2270		Tightening Force (N) 2205
	Weight (g) 60		Weight (g) 170		Weight (g) 355		Weight (g) 355
	Arm Open-Close Angle 104°		Arm Open-Close Angle 98°		Arm Open-Close Angle 107°		Arm Open-Close Angle 105°
	Handle Open-Close Angle 62°		Handle Open-Close Angle 62°		Handle Open-Close Angle 60°		Handle Open-Close Angle 59°
	Accessory Bolt with Rubber Material: NBR Hardness: Shore A70		Accessory Bolt with Rubber Material: NBR Hardness: Shore A70		Accessory Bolt with Rubber Material: NBR Hardness: Shore A70		Accessory Bolt with Rubber Material: NBR Hardness: Shore A70
	Unit Price		Unit Price		Unit Price		Unit Price

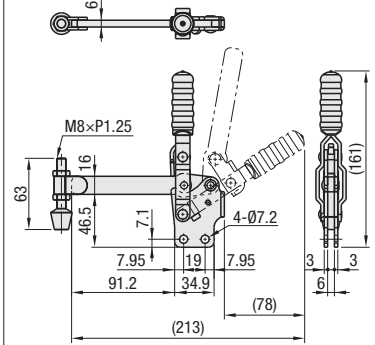
MC04-1S







MC04-2S

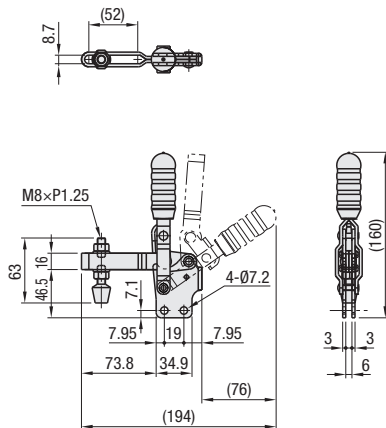


MC04-5S

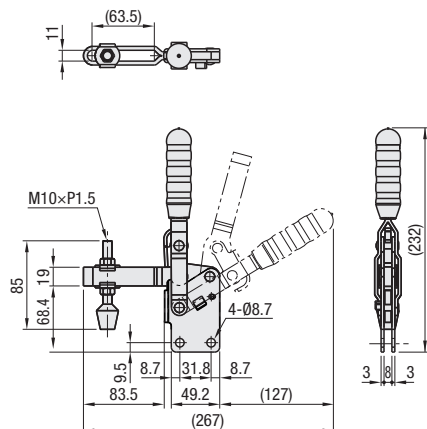


■ Hold Down, Vertical Handle (Straight Base)		■ Hold Down, Vertical Handle (Straight Base)		■ Hold Down, Vertical Handle (Straight Base)		■ Hold Down, Vertical Handle (Straight Base)	
	Part Number MC04-3S		Part Number MC04-4S		Part Number MC04-3S		Part Number MC04-4S
	Body Material SS400		Body Material SS400		Body Material SS400		Body Material SS400
	Surface Treatment Trivalent Chromate		Surface Treatment Trivalent Chromate		Surface Treatment Trivalent Chromate		Surface Treatment Trivalent Chromate
	Tightening Force (N) 2205		Tightening Force (N) 3332		Tightening Force (N) 3332		Tightening Force (N) 3332
	Weight (g) 355		Weight (g) 635		Weight (g) 635		Weight (g) 635
	Arm Open-Close Angle 105°		Arm Open-Close Angle 118°		Arm Open-Close Angle 118°		Arm Open-Close Angle 118°
	Handle Open-Close Angle 59°		Handle Open-Close Angle 73°		Handle Open-Close Angle 73°		Handle Open-Close Angle 73°
	Accessory Bolt with Rubber Material: NBR Hardness: Shore A70		Accessory Bolt with Rubber Material: NBR Hardness: Shore A70		Accessory Bolt with Rubber Material: NBR Hardness: Shore A70		Accessory Bolt with Rubber Material: NBR Hardness: Shore A70
	Unit Price		Unit Price		Unit Price		Unit Price

MC04-3S



MC04-4S



Ordering Example
Part Number
MC04-1S

ex Example
Combination of these app. examples can be selected on our website.
Selection Procedure Details P.87

e-Catalog Search Keyword #MA473 Search
* Enter the search keyword in the search box on e-Catalog. The search result will be shown in "Modular Assembler" area.

