


# Toggle Clamps

## Hold Down, Horizontal Handle (Flange Base)

1N=0.101972kgf


**Hold Down, Horizontal Handle (Flange Base)**



(Clamped)

Part Number	<b>MC01-5</b>
Body Material	SS400
Surface Treatment	Trivalent Chromate
Tightening Force (N)	196
Weight (g)	30
Arm Open-Close Angle	71°
Handle Open-Close Angle	76°
Accessory	Steel Bolt
Unit Price	


**Hold Down, Horizontal Handle (Flange Base)**



(Clamped)

Part Number	<b>MC01-6</b>	<b>MC01-S6</b>
Body Material	SS400	SUS304
Surface Treatment	Invalent Chromate	-
Tightening Force (N)	196	
Weight (g)	30	
Arm Open-Close Angle	75°	
Handle Open-Close Angle	73°	
Accessory	Steel Bolt	Stainless Steel Bolt
Unit Price		

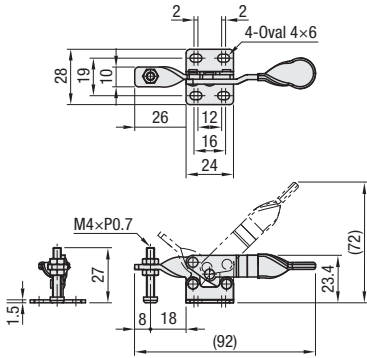
**Hold Down, Horizontal Handle (Flange Base)**



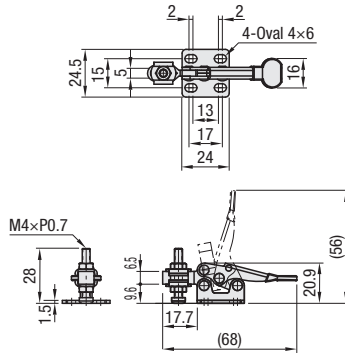
(Clamped)

Part Number	<b>MC01-7</b>
Body Material	SS400
Surface Treatment	Trivalent Chromate
Tightening Force (N)	294
Weight (g)	100
Arm Open-Close Angle	74°
Handle Open-Close Angle	75°
Accessory	Steel Bolt
Unit Price	

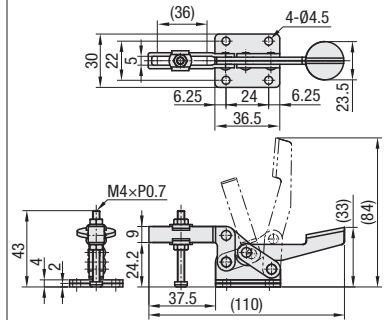
### MC01-5



### MC01-6 MC01-S6 (Stainless Steel)



### MC01-7

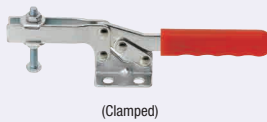


### Hold Down, Horizontal Handle (Flange Base)



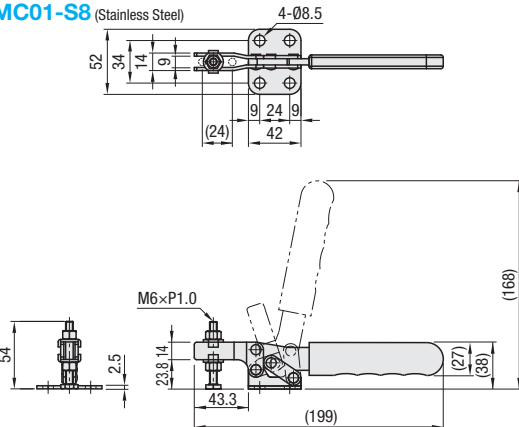
Part Number	<b>MC01-8</b>	<b>MC01-S8</b>
Body Material	SS400	SUS304
Surface Treatment	Trivalent Chromate	-
Tightening Force (N)	2450	
Weight (g)	210	
Arm Open-Close Angle	79°	
Handle Open-Close Angle	86°	
Accessory	Steel Bolt	Stainless Steel Bolt
Unit Price		

### Hold Down, Horizontal Handle (Flange Base)

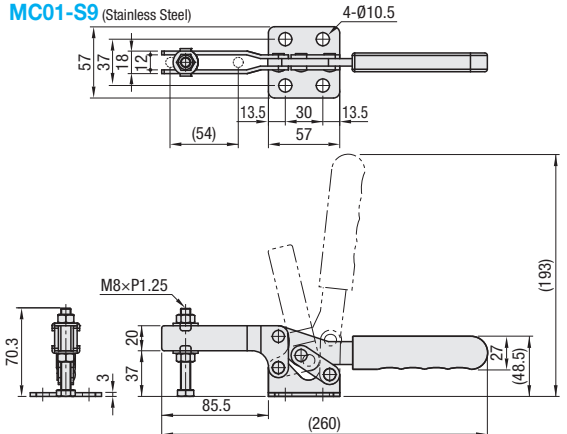


Part Number	<b>MC01-9</b>	<b>MC01-S9</b>
Body Material	SS400	SUS304
Surface Treatment	Trivalent Chromate	-
Tightening Force (N)	2744	
Weight (g)	435	
Arm Open-Close Angle	81°	
Handle Open-Close Angle	89°	
Accessory	Steel Bolt	Stainless Steel Bolt
Unit Price		

### MC01-8 MC01-S8 (Stainless Steel)



### MC01-9 MC01-S9 (Stainless Steel)



Ordering Example

Part Number

**MC01-6**  
**MC01-S8**