



Toggle Clamps

Hold Down, Horizontal Standard Handle (Flange Base) / High Arm Type (Flange Base)

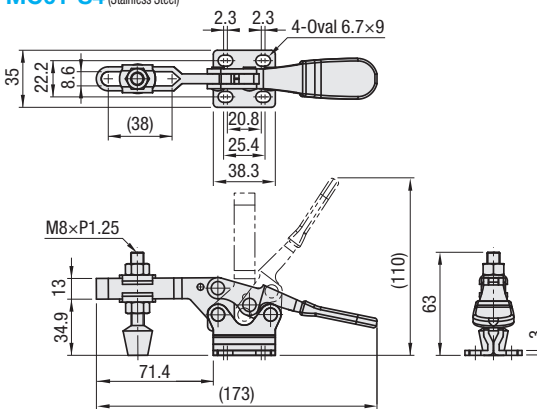
■ **Features:** MC01-10 is larger than MC01-4 in size and clamping force. High Arm Type with an arm position higher than conventional products is adjustable without spacers.
(MC01H-3: 16mm higher than MC01-3; MC01H-4: 19mm higher than MC01-4)

1N=0.101972kgf

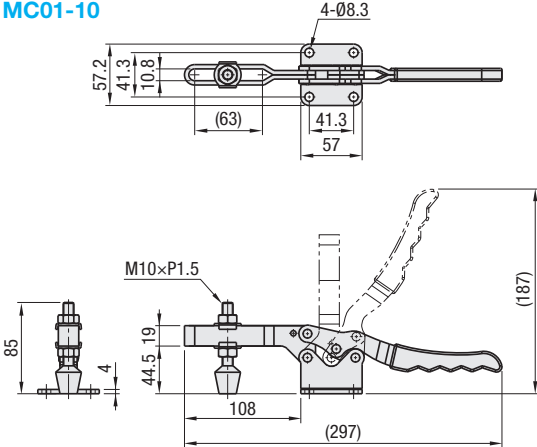
 (Clamped)	Part Number	MC01-4	MC01-S4
	Body Material	SS400	SUS304
	Surface Treatment	Trivalent Chromate	-
	Tightening Force (N)	2352	-
	Weight (g)	265	-
	Arm Open-Close Angle	90°	-
	Handle Open-Close Angle	65°	-
	Accessory	Bolt with Rubber Material: NBR Hardness: Shore A70	* Stainless Steel Bolt
	Unit Price		


 (Clamped)	Part Number	MC01-10
	Body Material	SS400
	Surface Treatment	Trivalent Chromate
	Tightening Force (N)	3400
	Weight (g)	640
	Arm Open-Close Angle	90°
	Handle Open-Close Angle	62°
	Accessory	Bolt with Rubber Material: NBR Hardness: Shore A70
	Unit Price	

MC01-4
MC01-S4 (Stainless Steel) * Please note that rubber is not attached to stainless steel bolt.



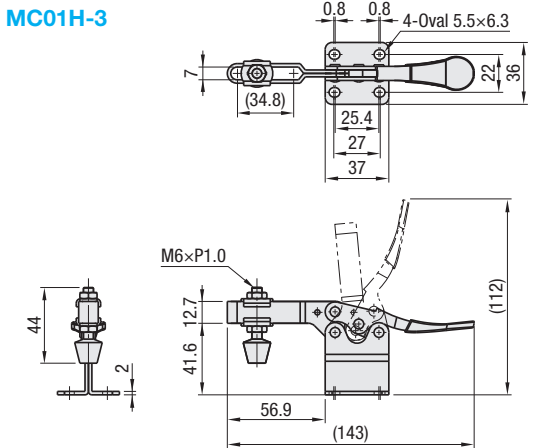
MC01-10



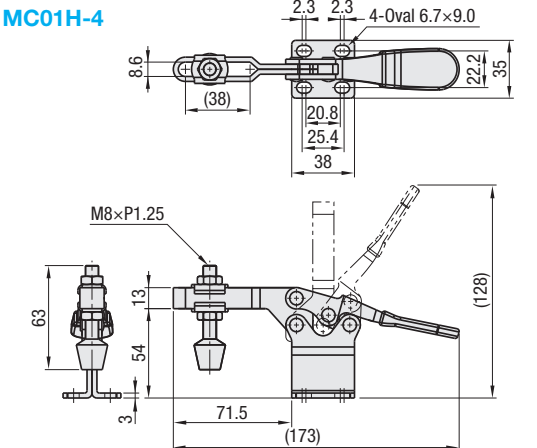
 (Clamped)	Part Number	MC01H-3
	Body Material	SS400
	Surface Treatment	Trivalent Chromate
	Tightening Force (N)	900
	Weight (g)	150
	Arm Open-Close Angle	80°
	Handle Open-Close Angle	73°
	Accessory	Bolt with Rubber Material: NBR Hardness: Shore A70
	Unit Price	

 (Clamped)	Part Number	MC01H-4
	Body Material	SS400
	Surface Treatment	Trivalent Chromate
	Tightening Force (N)	2270
	Weight (g)	290
	Arm Open-Close Angle	90°
	Handle Open-Close Angle	65°
	Accessory	Bolt with Rubber Material: NBR Hardness: Shore A70
	Unit Price	

MC01H-3

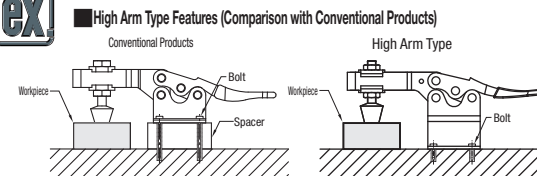


MC01H-4



 **Ordering Example**
Part Number
MC01-10
MC01H-3

ex ■ **High Arm Type Features (Comparison with Conventional Products)**



Conventional Products: Raise with a spacer depending on workpiece heights.
High Arm Type: Height is adjustable by toggle clamp arms.