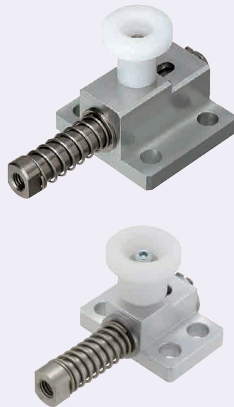


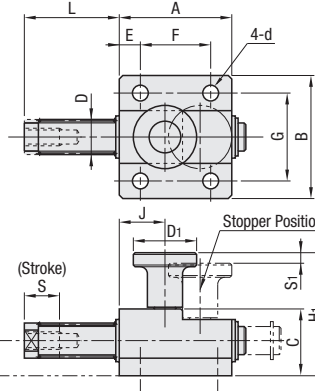
Spring Side Clamps / Tip Attachments

Spring Side Clamps



⚠ In addition to the tip attachments shown below (GP and GPF), Urethane Pushers (USLH10 on P.1553, etc) and Stopper Pins (BSTE8 on P.1719, etc) are also attachable to the tip of Spring Side Clamps.

Type	Main Body		Pin		Spring	Knob	
	M Material	S Surface Treatment	M Material	S Surface Treatment	M Material	M Material	
Light Load	GPL	Aluminum	Clear Anodize	S45C	Electroless Nickel Plating	SUS304-WPB	Polyacetal
Heavy Load	GPH	Aluminum Alloy					
Extra Heavy Load	GPX						



Load Table		Unit (N)	
Type		Min	Max
Light Load	GPL	0.6	2.5
Heavy Load	GPH	0.9	3.8
Extra Heavy Load	GPX	1.4	5.9

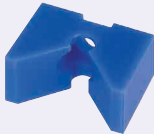
kgf=Nx0.101972

⚠ Shift the knob to the stopper position (lower step) to prevent the pin from moving.

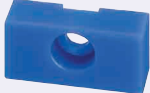
Part Number		S	Pin										Main Body						Knob					Unit Price
Type	M (Coarse)		D	L	W	H	A	B	C	T	G	E	F	d	S ₁	H ₁	J	D ₁	W ₁					
GPL	4	6	8	22	6	5	18	26	11.5	4	18	4	10	4.5	1.5	24.5	5.5	15	10					
GPH	5	10	10	27	8	10	32	35	19	5	25	6	20	5.5	3	35	13	18	15					
GPX																								

Tip Attachments

- V Shape -

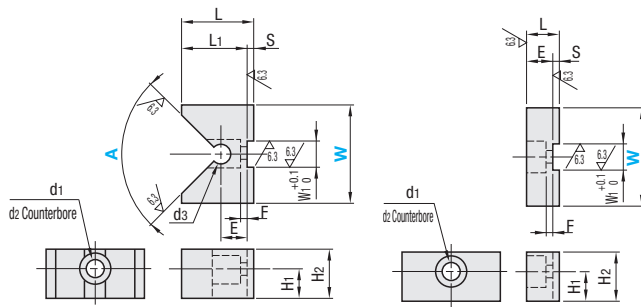


- Flat Shape -



GP (V Shape)

GPF (Flat Shape)



⚠ Applicable to M5 size Spring Side Clamp (GPL5, GPH5 and GPX5) only.

☐ Material: MC Nylon

V Shape

Part Number	A°	W	d ₁	d ₂	L	L ₁	H ₁	H ₂	d ₃	E	F	S	W ₁	Unit Price
GP	90	20	5.5	9.5	18	16	9	15	6	8	2	2	8	
	30	22			20									
	20	15			13									
	30	18			16									

Flat Shape

Part Number	W	d ₁	d ₂	L	H ₁	H ₂	E	F	S	W ₁	Unit Price
GPF	20	5.5	9.5	10	9	15	8	2	2	8	
	30										

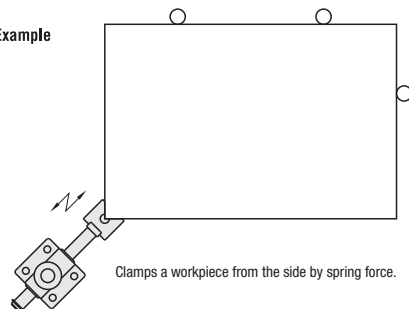


Ordering Example

Part Number - A - W
 GPH5 - 90 - 30
 GP - - 20



Example



Clamps a workpiece from the side by spring force.