

Tapered Plunging Locating Pin / Feed Fingers Economy Type

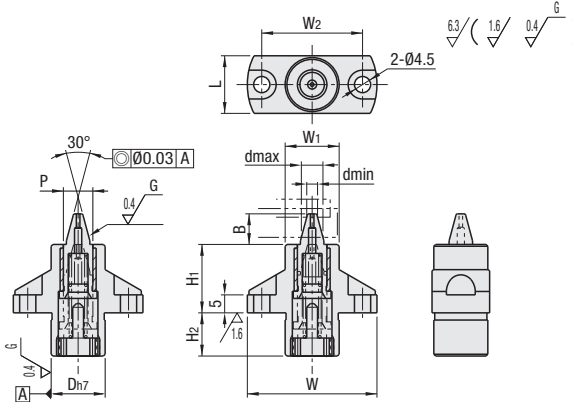
Features: Tapered section holds a workpiece, which enables positioning without wobbling. **Similar Products:** Flanged Locating Pins (P1653)

Tapered Plunging Locating Pin



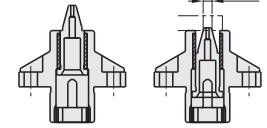
RoHS10

Type	Pin		Body			Spring	Oil Free Bushing
	Material	Hardness	Material	Hardness	Surface Treatment	Material	Material
PICP	SKD11	60-63HRC	S45C	23-30HRC	Electroless Nickel Plating	SWP-B	Special Bronze Casting



Load Table

min (When sunk with the min. hole dia.) max



Spring	No.6		No.10	
	min	max	min	max
Load (N)	6.3	5.8	19.9	20.1
Spring Constant (N/mm)	1.8	1.4		

Part Number		Applicable Hole Dia.		D	P	B	H1	H2	W	W1	W2	L	Unit Price
Type	No.	Max. Hole Dia. dmax	Min. Hole Dia. dmin										
PICP	6	6	3	15	8.2	8.5	19	12	36	15	28	16	
	10	10	6	19	12.2	12	24	17	40	19	32	20	



Ordering Example

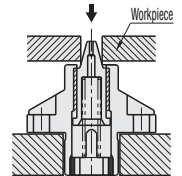
Part Number
PICP6



Example

The pin sinks and the tapered section holds a workpiece without wobbling. Changeover is not necessary when used within the applicable hole diameter, which enables high productivity and operability.

Height Adjusting Blocks (P1653) can be used together.



Features: Use of sheet metal for the main body has realized price reduction by approx. 50%, compared to the conventional products.

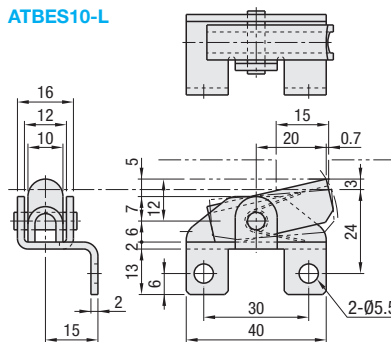
Feed Fingers Economy Type



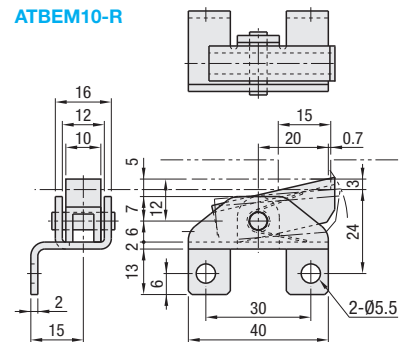
RoHS10

Type	Material			
	Claw	Main Body	Pin	Spring
ATBES	SUS304-CP	SUS304-CP	SUS304	SUS304-WPB
ATBEM	MC Nylon			

ATBES10-L



ATBEM10-R



Part Number		Claw Orientation	Load (Calculated Value) N		Mass (g)	Unit Price 1 ~ 3 pc(s).	Volume Discount Rate	
Type	No.		Stroke 3mm	Stroke 5mm			4 ~ 9 pcs.	10 ~ 30 pcs.
ATBES	10	L (Left)	8.3	8.9	45			
		R (Right)						
ATBEM	10	L (Left)	8.1	8.7	35			
		R (Right)						

For orders larger than indicated quantity, please request a quotation.



Ordering Example

Part Number - Claw Orientation
ATBES10 - L
ATBEM10 - R