


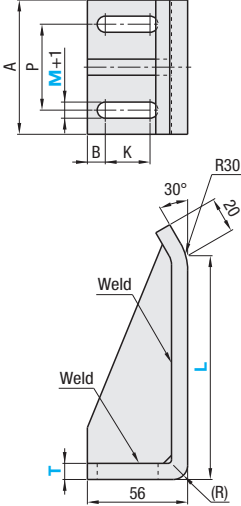
■ **Features:** Can be used as work guides. The ribs make for a rugged basic guide.

■ **Ribbed Type**



RoHS10

**RGHK**



Material: SS400


Part Number		L Selection	M Mounting Screw Hole	A	P	(R)	B	K	Unit Price				
Type	T								RGHK				
									L 75	L 100	L 125	L 150	L 200
RGHK	6	75	M8	60	33	8	11	28					
		100	M10				12	26					
	9	125	M10	75	48	15	11	19					
		150	M12				12	17					
		200											

Ordering Example: Part Number - L - M

Type T - L - M

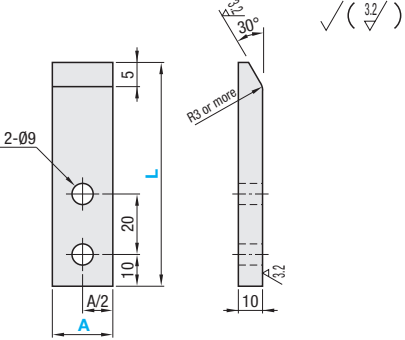
RGHK 6 - 125 - M8

■ **Guide Plates**



RoHS10

**CPGP**



Material: S45C  
Hardness: 25~30HRC

Part Number	A	L Selection	Unit Price
CPGP	20	60 75 90	

⚠ Use in a pair for the left and right sides.  
⚠ Flatness: 0.2 or lower



Ordering Example: Part Number - L

CPGP20 - 75

