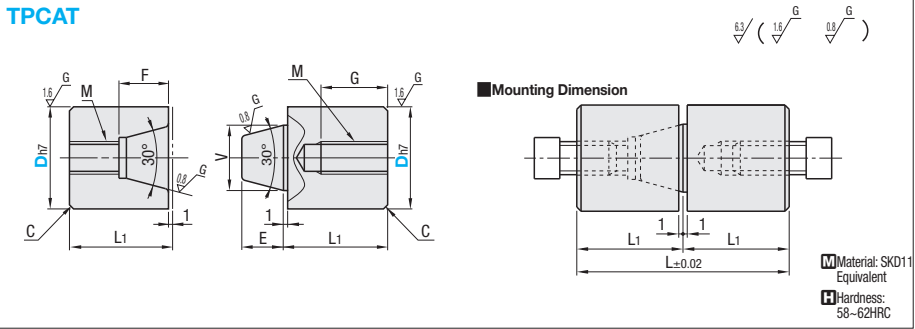


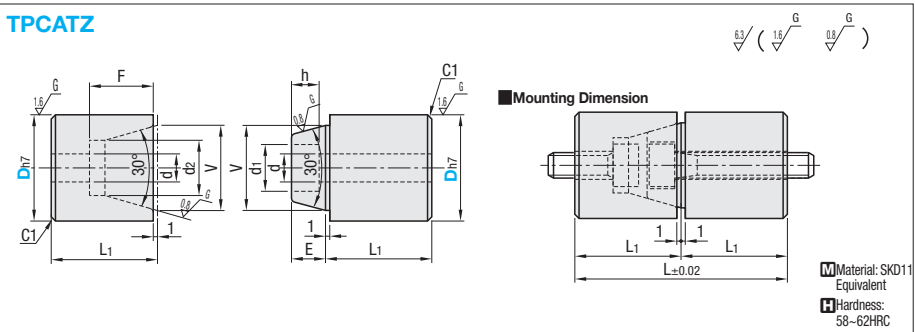
Tapered Pin Locating Block Sets

Standard, Counterbored, Short

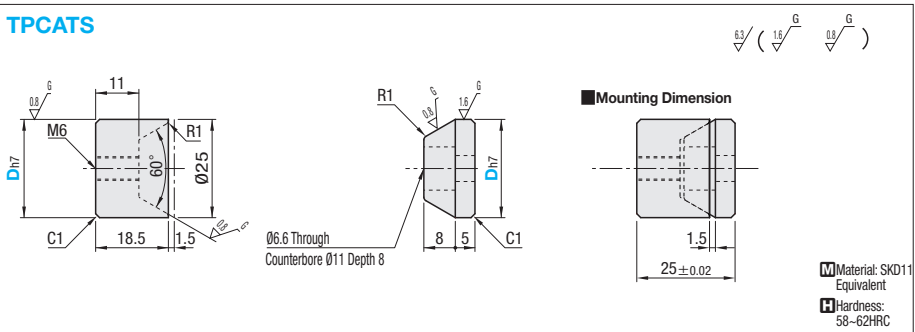
■ **Features:** Tapered tip enables smooth insertion and accurate positioning.



Part Number		L	L ₁	F	G	V	E	M	C	Unit Price
TPCAT	Type	D _{h7}								
	12	32	16	7	8	8	5	M4	0.5	
	12C	24	12		5					
	16	32	16		10					
	16C	26	13		7	10	6	M5		
	20	44	22	11	12	12	8	M6	1	
	20C	36	18		8					
	25	50	25		16					
	25C	42	21	12	12	16	10	M8		
	30	60	30	14	20	20	12	M10		



Part Number		L	L ₁	F	V	E	d ₁	d	d ₂	h	Applicable Screw	Unit Price
TPCATZ	Type	D _{h7}										
	20	44	22	16	16	8	8	4.5	10	5	M4	
	25	50	25	19	20	9	11	6.6	13.5	7	M6	
30	60	30	23	25	12	14	9	17	9	M8		



Part Number		Applicable Screw	Unit Price
Type	D _{h7}		
TPCATS	25	M6	

Ordering Example

Part Number
TPCAT12
TPCAT25
TPCATS25

