

# Bushings for Locating Pins

## Retaining, Oval

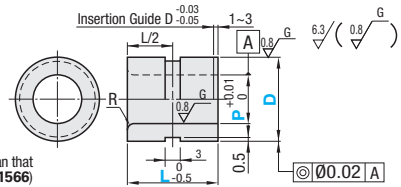
### Retaining



RoHS10

Material	Surface Treatment	Hardness	Type	
			p6	m6
SKS3 Equivalent	-	56~60HRC	JBAFPG	JBAFG
SKS3 Equivalent	Black Oxide	56~60HRC	JBAFBPG	JBAFBG
SKS3 Equivalent	Electroless Nickel Plating	56~60HRC	JBAFMFG	JBAFMG
SUS304	-	-	JBAFSPG	JBAFSG
SUS40C or 13Cr stainless	-	50~55HRC	JBAFCPG	JBAFCG

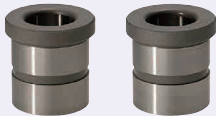
For hole machining, please note that inner diameter shrinkage of p6 Type is more than that of m6 Type. (See "Variance of I.D. after Press-fitting Bushings for Locating Pins" on P.1566)



Type	Part Number	D	D Tol.		P	L	R	Unit Price					
			p6	m6				0.01mm Increment	0.1mm Increment	JBAFPG	JBAFBPG	JBAFMFG	JBAFSPG
(p6) JBAFPG JBAFBPG JBAFMFG JBAFSPG JBAFCPG	8	8	+0.024	+0.015	4.00~4.50	10.0~13.0	1.0						
	10	10	+0.015	+0.006	4.00~6.50	10.0~20.0							
	12	12	+0.029	+0.018	6.00~8.50								
	15	15	+0.018	+0.007	8.00~10.50								
	18	18			10.00~12.50								
	20	20			12.00~13.50								
(m6) JBAFG JBAFBG JBAFMG JBAFSG JBAFCG	22	22	+0.035	+0.021	12.00~13.50	10.0~40.0	2.0						
	25	25	+0.022	+0.008	13.00~15.50								
	26	26			15.00~16.50								
	30	30			16.00~20.50								
	35	35	+0.042	+0.025	20.00~25.00	12.0~60.0		3.0					
			+0.026	+0.009									

LS-Px3.0

### Shouldered, Retaining

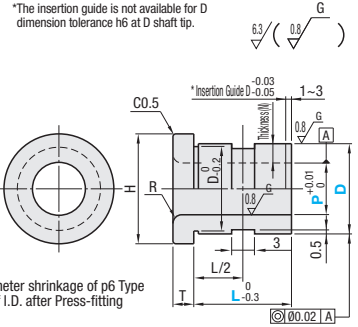


RoHS10

Material	Surface Treatment	Hardness	Type		
			p6	m6	h6
SKS3 Equivalent	-	56~60HRC	JBHFPG	JBHFG	JBHG
	Electroless Nickel Plating	56~60HRC	JBHFMPG	JBHFMG	JBHMG
SUS40C or 13Cr stainless	-	50~55HRC	JBHFCPG	JBHF CG	-

D	p6	m6	h6
8	+0.024	+0.015	-0.009
10	+0.015	+0.006	0
12	+0.029	+0.018	-0.011
15	+0.018	+0.007	0
18			
20			
22	+0.035	+0.021	-0.013
25	+0.022	+0.008	0
26			
30			
35	+0.042	+0.025	-0.016
	+0.026	+0.009	0

For hole machining, please note that inner diameter shrinkage of p6 Type is more than that of m6 Type. (See "Variance of I.D. after Press-fitting Bushings for Locating Pins" on P.1566)

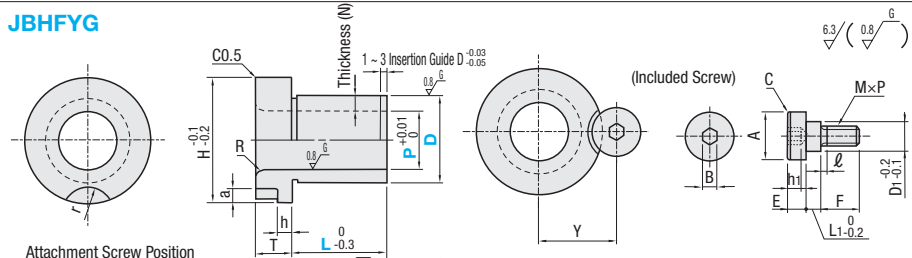


Type	Part Number	D	P	L	Thickness (N)	R	H	T	Unit Price					
									0.01mm Increment	0.1mm Increment	JBHFPG	JBHFMPG	JBHFMG	JBHFCPG
(p6) JBHFPG JBHFMPG JBHFCPG	8	8	4.00~4.50	8.0~10.0	1.75~2.50	1.0	12	3						
	10	10	4.00~6.50	8.0~15.0	1.75~3.00		14							
	12	12	6.00~8.50				16							
	15	15	8.00~10.50				19	4						
	18	18	10.00~12.50				22							
	20	20	12.00~13.50	10.0~35.0			2.25~3.50	2.0	26	5				
22	22	12.00~13.50			2.75~4.00									
25	25	13.00~15.50			3.25~4.00									
26	26	15.00~16.50			4.25~5.00									
30	30	16.00~20.50	12.0~50.0		4.75~6.00	30	35				6			
35	35	20.00~25.00			4.75~5.50									
					4.75~7.00	3.0	40	6						
					5.00~7.50									

LT-Px3.0

### Notched, Retaining

RoHS10



Material: SKS3 Equivalent  
Hardness: 56 ~ 60HRC

Accessory: Special Hex Socket Head Cap Screw 1 pc.

#### Included Screw

D1	L1	A	E	MxP (Coarse)	F	ℓ	B	h1	C
6	3	10	4	4x0.7	8	1.2	3	3	0.5
8	4	12	4.5	5x0.8	10	1.4	4	3.5	0.5

Type	Part Number	D	D Tolerance	P	L	Thickness (N)	R	H	T	h	a	r	Screw Position Y	Accessory Special Material Screw	Tightening Torque N-cm	Unit Price
JBHFYG	10	10	-0.019	4.00~6.50	3.0~12.0	1.75~3.00	1	18					12			
	12	12		6.00~8.50	10.0~18.0			20	7.5	3	5.5		M4	225		
	15	15	-0.023	8.00~10.50		2.25~3.50	23									
	18	18		10.00~12.50		2.75~4.00	26									
	20	20		12.00~13.50		3.25~4.00	2	28	9	4	7		M5	461		
	22	22	-0.027	12.00~13.50	12.0~35.0	4.25~5.00	30									
	25	25		13.00~15.50		4.75~6.00	33									
	26	26		15.00~16.50		4.75~5.50	34									
	30	30		16.00~20.50	12.0~50.0	4.75~7.00	3	38								