


Locating Pins

Screw Mounted / Pilot / Large Screw Mounted

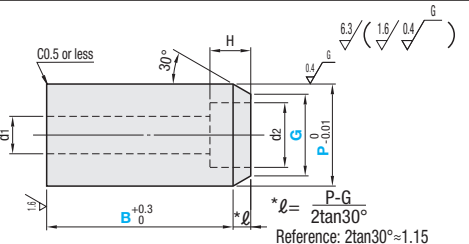
■ **Features:** The pin body is secured by the bolts. You can use it for areas where you cannot use tapped screws since the bolt can be tightened from the top of the insertion guide.

■ **Screw Mounted**



RoHS10


M	S	H	Type
S45C Equivalent	-	Treated Hardness: 45 ~ 50HRC	LPZ
S45C Equivalent	Black Oxide	Treated Hardness: 45 ~ 50HRC	LPZB
S45C Equivalent	Hard Chrome Plating	Treated Hardness: 45 ~ 50HRC / Plating Hardness: 750HV ~	LPZR
SUS304	-	-	LPZS
SUS304	Hard Chrome Plating	Plating Hardness: 750HV ~	LPZH
SUS440C or 13Cr stainless	-	Treated Hardness: 50 ~ 55HRC	LPZC



Reference: $2\tan 30^\circ \approx 1.15$

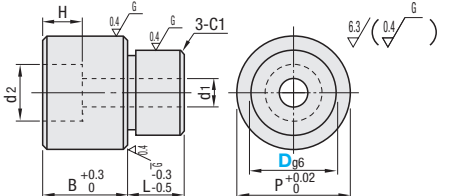
Part Number Type	No.	P	B	G	d1	d2	H	Applicable Screw	Unit Price					
		0.01mm Increment	0.1mm Increment	1mm Increment					LPZ	LPZB	LPZR	LPZS	LPZH	LPZC
LPZ LPZB LPZR LPZH LPZC	3	11.00~15.00	10.0~25.0	9≤G<P	3.5	6.5	4	M3						
	4	12.00~20.00	10.0~25.0	10≤G<P	4.5	8	5	M4						
	5	14.00~20.00	10.0~30.0	12≤G<P	5.5	9.5	6	M5						
	6	15.00~25.00	12.0~40.0	13≤G<P	6.5	11	7	M6						
	8	18.00~25.00	14.0~50.0	16≤G<P	9	14	9	M8						

■ **Pilot**




RoHS10

M	S	H	Type
SKS3 Equivalent	-	Treated Hardness: 60 ~ 63HRC	JPMA
SKS3 Equivalent	Hard Chrome Plating	Treated Hardness: 60 ~ 63HRC / Plating Hardness: 750HV ~	GJPMA
SUS304	-	-	SJPMA
SUS440C or 13Cr stainless	-	Treated Hardness: 50 ~ 55HRC	CJPMA



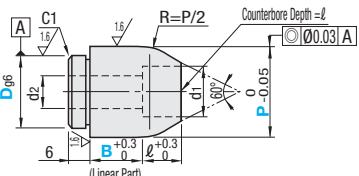
Part Number Type	Dg6	P	d1	d2	H	B	L	Applicable Screw	Unit Price				
									JPMA	GJPMA	SJPMA	CJPMA	
JPMA GJPMA SJPMA CJPMA	6	-0.004 -0.012	10	3.5	6.5	4	10	M3					
	8	-0.005	12	4.5	8	5			M4				
	10	-0.014	15	5.5	9.5	6			M5				
	12	-0.006	16	6.5	11	7	15	M6					
	15	-0.017	20	6.5	11	7			M8				
	16	-0.007	9	14	9	9			M10				
	20	-0.020	11	17.5	11	11			M12				
	25	-0.020	14	20	13	13							

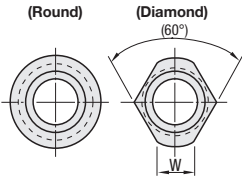
■ **Large Screw Mounted**



RoHS10

M	S	H	Shape	Type	
				B Selectable	B Configurable
SCM435	-	Treated Hardness: 35 ~ 40HRC	Round	LBNA	LBNFA
			Diamond	LBND	-





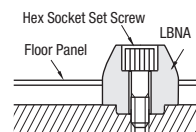
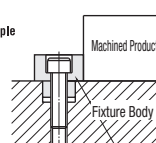
Part Number Type	Dg6	P	B Selection	l	W	d1	d2	Applicable Screw	Unit Price			
									LBNA	LBND	LBNFA	
LBNA (Round) LBND (Diamond) LBNFA (Round)	16	-0.023	5 10 15 20	5~20	7.5	7	11	6.6	M6			
					11	10	14	9	M8			
					13	10	17.5	11	M10			
					16	12	20	14	M12			
					20	16						
					25	20						
					35	28						

⚠ D dimension 16 is applicable to LBNA and LBND only.

Ordering Example: Part Number - P - B - G (Screw Mounted)
 LPZ5 - P16.00 - B25.5 - G15 (Pilot)
 JPMA15 - P30.0 - B10 (Large Screw Mounted)



Example



JPMA