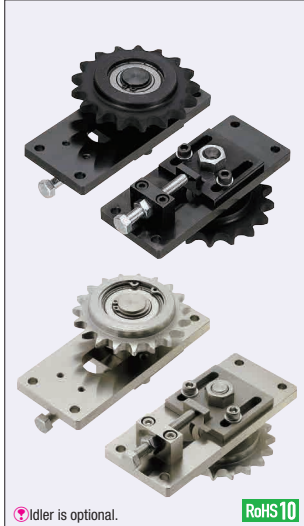


Tensioner Unit

Slotted Hole, Adjustment Screw Type

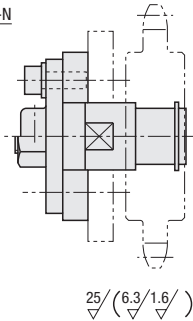
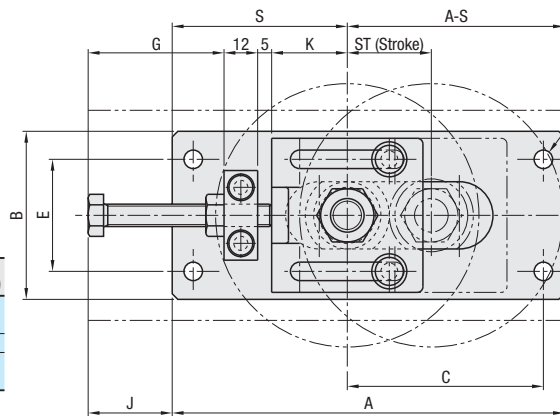
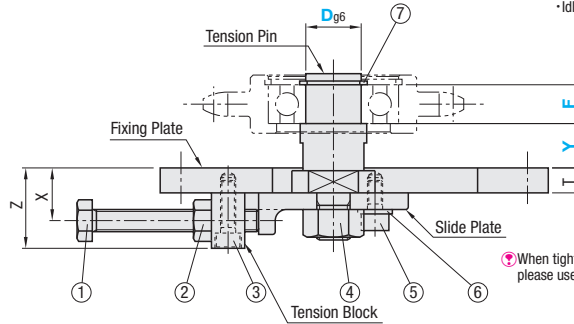
Features: Tensioner units applicable on both driven side and middle section. Can be used for chain or belt drive.



| Type | Material | | | | Surface Treatment |
|-------------|------------------|-------------|--------------------------|---------------|----------------------------|
| | Attachment Plate | Tension Pin | Slide Plate | Tension Block | |
| TNSR | SS400-D | S45C | S45C (Precision Casting) | SS400-D | Black Oxide |
| TNSN | | | | | Electroless Nickel Plating |

<Applicable Idlers>

- Chain Idlers ☒ P1550, 1552
- Idlers with teeth for timing belts. ☒ P1445-1456
- Idlers for Timing Belts ☒ P1457
- Idlers for Flat Belts ☒ P1370



Tension Pin Dimension Details

| Dg6 | V | d | t | P | H | W | M (Coarse) |
|-----|----|------|---|----|----|----|------------|
| 10 | 13 | 9.6 | 5 | 13 | 15 | 11 | M8 |
| 12 | 15 | 11.5 | | | | 13 | M8 |
| 15 | 20 | 14.3 | | 16 | 20 | 17 | M10 |
| 17 | 22 | 16.2 | 8 | | 24 | 19 | M12 |
| 20 | 24 | 19 | | | 24 | 22 | M12 |

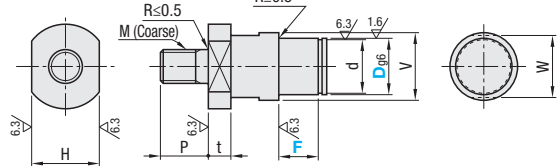
TNSR Accessory

| Dg6 | ① Adjustment Screw | ② Nut | ③ (2 pcs.) Hex Socket Head Cap Screw | ④ Nut | ⑤ (2 pcs.) Hex Socket Head Cap Screw | ⑥ (2 pcs.) Flat Washer | ⑦ C Type Retaining Ring |
|-----|--------------------|-------|--------------------------------------|--------|--------------------------------------|------------------------|-------------------------|
| 10 | M6x55 | LBNR6 | CB4-16 | LBNR8 | CB5-10 | PWF5 | STWN10 |
| 12 | | | | LBNR10 | CB5-14 | | STWN12 |
| 15 | M8x60 | LBNR8 | CB5-22 | | | | STWN15 |
| 17 | | | | LBNR12 | CB6-16 | PWF6 | STWN17 |
| 20 | | | | | | | STWN20 |

TNSN Accessory

| Dg6 | ① Adjustment Screw | ② Nut | ③ (2 pcs.) Stainless Steel Hex Socket Head Cap Screw | ④ Nut | ⑤ (2 pcs.) Stainless Steel Hex Socket Head Cap Screw | ⑥ (2 pcs.) Flat Washer | ⑦ C Type Retaining Ring |
|-----|--------------------|--------|--|---------|--|------------------------|-------------------------|
| 10 | M6x55 | SLBNR6 | M4x16 | SLBNR8 | M5x10 | SPWF5 | STWS10 |
| 12 | | | | SLBNR10 | M5x14 | | STWS12 |
| 15 | M8x60 | SLBNR8 | M5x22 | | | | STWS15 |
| 17 | | | | SLBNR12 | M6x16 | SPWF6 | STWS17 |
| 20 | | | | | | | STWS20 |

<Tension Pins>



| Part Number Type | 1mm Increment | | ST (Stroke) | A | B | T | J | C | E | G | K | S | X | Z | N | Unit Price | | |
|----------------------------|---------------|-------|-------------|----|-----|----|---|----|------|----|------|------|------|----|----|------------|------|------|
| | Dg6 | Y | | | | | | | | | | | | | | F | TNSR | TNSN |
| TNSR TNSN | 10 | 10~50 | 8~50 | 25 | 120 | 50 | 6 | 24 | 55 | 35 | 42.0 | 22.5 | 57.5 | 14 | 21 | 5.5 | | |
| | 12 | | | | | | | | | | | | | | | | | |
| | 15 | 12~60 | 10~50 | 25 | 125 | 55 | 9 | 31 | 57.5 | 40 | 48.5 | 25.5 | 60 | 19 | 29 | 6.6 | | |
| | 17 | | | | | | | | | | | | | | | | | |
| | 20 | | | 30 | 140 | 60 | | 30 | 70 | | | 27 | 62.5 | | | | | |

Ⓜ When D=10 or 12, Y+F<=80

Ⓜ When D=15 ~ 20, Y+F<=120

Ⓜ For the F dim., specify a value identical to the width of the bearing included with the current idler. (Tolerance of F dim. : 0~+0.1mm)



Ordering Example

| | | | | |
|---------------|---|------------|---|------------|
| Part Number | - | Y | - | F |
| TNSR20 | - | Y15 | - | F12 |
| TNSN15 | - | Y20 | - | F32 |