


Tensioner Units with Idler

Height Configurable

Features: The following bidirectional tension adjustment is available: "Push" direction and "Pull" direction. This unit and idler are assembled in a set before delivery.

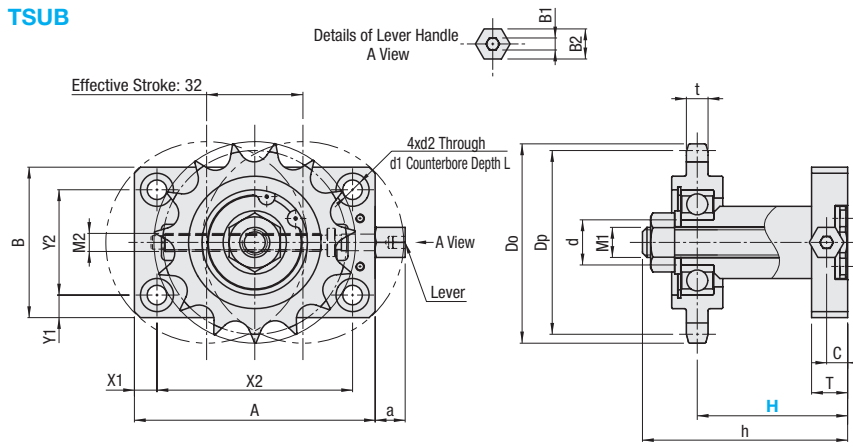


RoHS10

TSUB

Effective Stroke: 32

Details of Lever Handle
A View



4x ϕ 2 Through
d1 Counterbore Depth L

Lever

Part Name | Material | Surface Treatment

Base Block	SS400	Black Oxide
Idler Shaft	S45C	
Adjustment Screw		
Nut		
Washer		
Idler Sprocket	S35C Equivalent (Induction Hardened Teeth Tip)	

One Point

By using the adjustment screw coupled to the idler shaft machined with the tapped hole, tension can be adjusted bidirectionally; "Push" and "Pull."

Since the adjustment screw is structured with the dual support frame, it prevents the idler shaft from being inclined and facilitates tension adjustment.

Part Number	Number of Teeth	H 1mm Increment	h (Max.)	M1	M2	Travel per Handle Rotation (mm)	d	A	B	T	X1	X2	Y1	Y2	a	d1	d2	L	C	B1	B2	Unit Price																													
TSUB	35	16	25~45	59.2	8	1.0	12	80	50	12	7.5	65	7.5	35	10.5	11	6.5	6.5	7	4	10																														
		18		63.2	10		15																																												
	40	13	30~50	64.2	8		6															12	85	60	12	70	45	15	17	73.2	10	15	14	8	5	13															
		15		68.2	10																	15																													
	50	19	35~55	74.2	14		8															20															90	60	16	10	70	10	40	15.5	14	8.5	8.5	8	5	13	
		13		73.2	10																	15																													
		15		76.2	12			17																																											
	60	17	40~60	79.2	14		8	20	90	60	16	10	70	10	40	15.5	14	8.5	8.5	8	5	13																													
		11		78.2	10			15																																											
		14		84.2	14			20																																											

Idler Specifications

No.	Number of Teeth	Shaft Dia.	Dp	Do	t	Bearing Part No.
35	16	12	48.82	54	4.3	6001ZZ
	18	15	54.85	60		6202ZZ
40	13	12	53.07	59	7.2	6001ZZ
	15	15	61.08	67		6202ZZ
50	19	20	77.16	84	8.7	6204ZZ
	13	15	66.34	74		6202ZZ
60	15	17	76.35	84	11.7	6203ZZ
	17	20	86.39	94		6204ZZ
60	11	15	67.62	76	11.7	6202ZZ
	14	20	85.61	95		6204ZZ

For details, see P.1550 on this catalog.



Ordering Example
Part Number - **Number of Teeth** - **H**
TSUB35 - **16** - **40**



Example

