


Idler Sprockets with Hub / Small Idlers

2040B, 2050B, 2060B Series

■ **Features:** The Idlers with bearings built-in on both sides of Double Pitch Sprockets

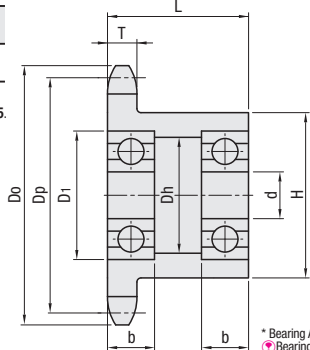
■ **Double Pitch**



RoHS10

Type	Material		Surface Treatment
	Main Body	Bearing	
DRCBW	S45C Equivalent (Induction Hardened Teeth Tip)	Steel	Black Oxide

* For Cantilever Shafts, see [P.883-906](#).
 * For non-drive shaft side tension adjustments, please see Tensioner Unit on [P.1555](#).




* Bearing Accuracy: JIS B1514 Class 0
 * Bearings are press-fit.

Part Number Type	No.	Number of Teeth	d	Dp	Do	Dh	Hub		T	Bearing Dimensions			Unit Price
							H	L		No.	D1	b	
DRCBW	2040	21	20	86.17	92	34	69	25	7.2	6904ZZ	37	9	
		23	25	94.15	100	36	77			6905ZZ	42	9	
		25	25	102.14	108	36	63			6905ZZ	42	9	
	2050	19	25	97.78	105	41	73	28	8.7	6005ZZ	47	12	
		21	30	107.72	115	48				6006ZZ	55	13	
		25	30	127.67	135	48				6006ZZ	55	13	
	2060	19	30	117.34	126	55	83	40	11.7	6206ZZ	62	16	
		25	30	153.2	162	55	80	45		6206ZZ	62	16	

Ordering Example

Part Number	-	Number of Teeth
DRCBW2040	-	23

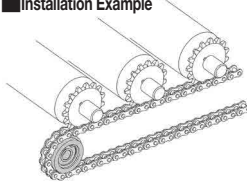
■ **Small Idlers**



RoHS10

Type	Material		Surface Treatment	Hardness
	Main Body	Bearing	Main Body	
SDRCH	S45C (Induction Hardened)	Steel	Black Oxide	55-60HRC Hardening on T Part Depth 1 ~ 2mm

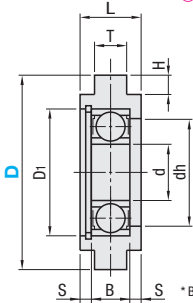
■ **Installation Example**



Is suitable for use in portions where the serrations of the current sprocket are the most likely to interfere with those of the other sprocket.

For Idler Shafts, please see Cantilever Shafts on [P.883-906](#).

* Induction Hardening on T part only



* Bearing Accuracy: JIS B1514 Class 0

Part Number Type	No.	D	d	L	T	dh	H	S	Bearing Dimensions			Retaining Ring	Unit Price	
									No.	D1	B			
SDRCH	35	30	6	12	4.4	13	2.2	3	606ZZ	17	6	RTWN17		
		40	10	15		22			3.5	6000ZZ	26	8	RTWN26	
		50	12	16		26			3	6201ZZ	32	10	RTWN32	
	40	40	10	15	7.5	22	2.2	3	6000ZZ	26	8	RTWN26		
		50	12	16		26			3	6201ZZ	32	10	RTWN32	
		60	15	19		29			4	6202ZZ	35	11	RTWN35	
	50	50	10	19	9	22	2.7	5.5	6000ZZ	26	8	RTWN26		
		60	12	19		26			4.5	6201ZZ	32	10	RTWN32	
		70	15	19		29			4	6202ZZ	35	11	RTWN35	
	60	60	12	23	11.8	26	3.5	6.5	6201ZZ	32	10	RTWN32		
		70	15	23		29			6	6202ZZ	35	11	RTWN35	

Ordering Example

Part Number	-	D
SDRCH40	-	60