


MechaLock

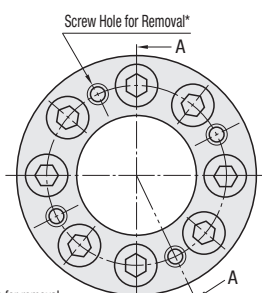
Standard (Centering Function)

■ **Features:** Various options are offered in size, material and surface treatment. The Centering function comes with. This is the most widely used MechaLock.



MLM
MLMB (Black Oxide)
MLMP (Electroless Nickel Plating)
MLHS (Stainless Steel)

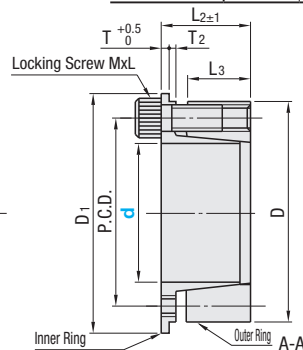
RaHS10



* Thread diameter of screw hole for removal is the same as that of locking screw.

⚠ Lock screw of MLMB and MLMP is colored with RED coating material.

Type	Main Body	
	M Material	S Surface Treatment
MLM	S45C	-
MLMB		Black Oxide
MLMP		Electroless Nickel Plating
MLHS	SUS304	-



Part Number Type	d	D	D1	P.C.D.	L2	L3	T	T2	Locking Screw		Unit Price			
									MxL	Qty.	MLM	MLMB	MLMP	MLHS
5	16	18.5	11.7	13	8	1.8	1.2	M3x10						
6	19	21.5	14	14.3	9	2.0	1.3	M4x12	4					
8	21	23.5	15.4	14.6	9.3	2.0	1.3							
10	23	25.5	17.5	14.8	9.5			2.5	1.5	M4x15	6			
11	24	26.5	18.4	15.8		20.1	12.5					1.6		
12	26	28.5	20.2	18.0	10.5			3.0	1.8	M5x18	8			
14	28	30.5	22.2			25.1	16.3					3.5	2.0	M6x20
15	29	31.5	23.2	26.1	17.3			4.0	2.0	M6x20	12			
16	30	33.0	24.2			27.6	18.3					4.5	2.0	M6x20
17	31	33.5	25.2	31.0	20.5			5.0	2.0	M6x20	15			
18	32	34.5	26.2			21.0	21.0					5.0	2.0	M6x20
19	33	35.5	27.2	32.5	21.5			5.0	2.0	M6x20	15			
20	38	42.0	30.8			33.5	22.0					5.0	2.0	M6x20
22	40	44.0	32.8	33.5	22.0			5.0	2.0	M6x20	15			
24	42	46.0	34.8			33.5	22.0					5.0	2.0	M6x20
25	43	47.0	35.8	33.5	22.0			5.0	2.0	M6x20	15			
28	46	50.0	38.8			33.5	22.0					5.0	2.0	M6x20
MLM	30	48	52.0	40.8	33.5			22.0	5.0	2.0	M6x20			
MLMB	32	50	54.0	42.8		33.5	22.0					5.0	2.0	M6x20
(Black Oxide)	35	57	62.0	48.4	33.5			22.0	5.0	2.0	M6x20			
MLMP	38	60	65.0	51.4		33.5	22.0					5.0	2.0	M6x20
(Electroless Nickel Plating)	40	62	67.0	53.4	33.5			22.0	5.0	2.0	M6x20			
MLHS	42	64	69.0	55.4		33.5	22.0					5.0	2.0	M6x20
(Stainless Steel)	45	67	72.0	58.4	33.5			22.0	5.0	2.0	M6x20			
	48	70	75.0	61.4		33.5	22.0					5.0	2.0	M6x20
	50	72	77.0	63.4	33.5			22.0	5.0	2.0	M6x20			
	55	77	83.0	68.4		33.5	22.0					5.0	2.0	M6x20
	60	82	87.0	73.4	33.5			22.0	5.0	2.0	M6x20			
	65	87	92.0	78.4		33.5	22.0					5.0	2.0	M6x20
	70	97	103.0	86.2	36.1			24.0			M8x25			

Ordering Example **Part Number**
MLM35

■ **Features**

- ① With pilot on flange of the inner ring, the tightening lock screw presses hub I.D. This generates effect to control instability on the hub end face and O.D. (centering effect).
- ② Free phase adjustment and positioning.
- ③ No hub movement in axial direction when tightened with locking screw.
- ④ No backlash after tightening.

■ **Recommended Tolerance of Shaft and Hub / Roughness of Surface**

Shaft O.D.	h7(g6)	Ra1.6 or less
Hub I.D.	H7	Ra3.2 or less