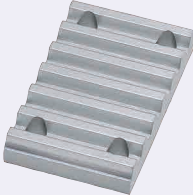


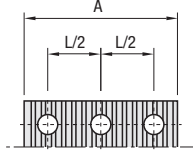
# Timing Belt Clamp Plates

## Bottom Metal Short

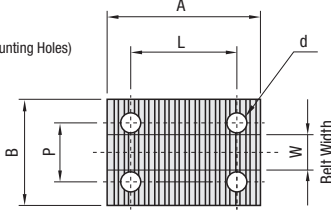
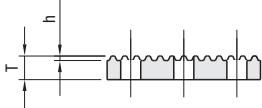
■ **Features:** Timing Belt Clamp Plates with specifiable mounting hole positions.



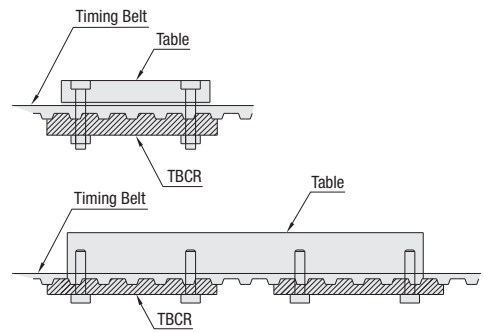
**TBCR**  
(6 Mounting Holes)



(4 Mounting Holes)

• **Installation Example**



- Ⓜ The tooth profile complies with Open End Belts and Timing Belts.
- Ⓜ Belt width complies with Timing Belts.

Ⓜ Material: A6N01-T5
Ⓜ Surface Treatment: Clear Anodize

Part Number		Belt Nominal Width	W	A	B	T	h	L	P	d	Number of Mounting Holes	Unit Price
Type	Belt Type											
<b>TBCR</b>	XL	025	6.4	36	24	6	1.25	25	12	4.5	4	
		031	7.9		25				14			
		037	9.5		26				16			
		050	12.7		30				20			
	L	050	12.7	66	32	8	1.9	50	20	5.5	4	
		075	19.1		38				26			
		100	25.4		46				33			
		150	38.1		58				46			
	H	075	19.1	89	38	10	2.3	70	26	5.5	6	
		100	25.4		46				33			
		150	38.1		58				45			
		200	50.8		70				58			
	S3M	060	6	21	20	4	1.14	15	11	3.4	4	
		100	10		25				15			
		150	15		30				20			
	S5M	100	10	35	26	6	1.81	25	16	4.5	4	
		150	15		32				21			
		250	25		42				31			
	S8M	150	15	56	34	8	2.85	40	22	5.5	4	
		250	25		44				32			
		300	30		50				37			
		400	40		60				47			
	T5	100	10	35	26	6	1.2	25	16	4.5	4	
		150	15		32				21			
200		20	38		26							
250		25	43		31							
T10	150	15	70	34	8	2.5	50	22	5.5	6		
	200	20		40				27				
	250	25		44				32				
	300	30		50				37				

Ⓜ Metal fitting of S□M type can be used with a P□M type belt.



Ordering Example

Part Number		
Type	Belt Type	Belt Nominal Width
TBCR	XL	025



Example

