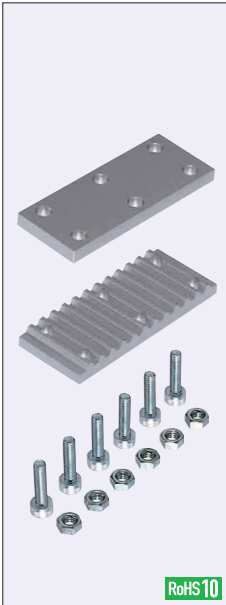


# Timing Belt Clamp Plates

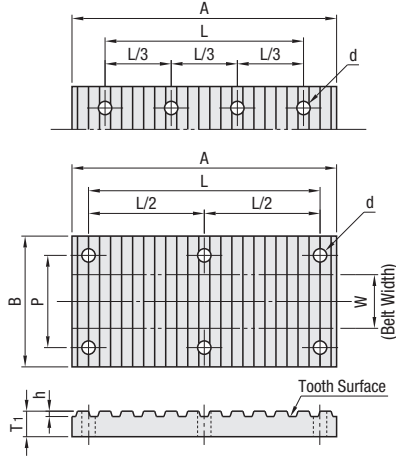
## Nut Tightening Type



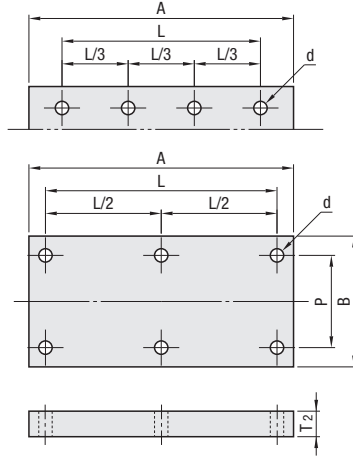
RoHS 10

### TBCS (①Rack + ②Support Plate)

① Rack



② Support Plate



- Ⓜ The tooth profile complies with Open End Belts and Timing Belts.
- Ⓜ Belt width complies with Timing Belts.

- Ⓜ Material: A6N01-T5
- Ⓜ Surface Treatment: Clear Anodize
- Ⓜ Accessory: Hex Socket Head Cap Screws, Nuts

TBCS  
(①+②)

Part Number		Belt Nominal Width	W	A	B	T1	T2	h	L	P	Included Screw	d	Number of Mounting Holes	Unit Price
Type	Belt Type													
TBCS (①+②)	MXL	025	6.4	26	18	4	4	0.51	19	11	M3-12	3.4	6	
		037	9.5		22					14				
		050	12.7		26					18				
	XL	025	6.4	66	24	6	5	1.25	56	12	M4-15	4.5	8	
		031	7.9		25					14				
		037	9.5		26					16				
		050	12.7		30					20				
		050	12.7		32					20				
	L	075	19.1	124	38	8	5	1.90	111	26	M5-20	5.5	8	
		100	25.4		46					33				
		075	19.1		38					26				
	H	100	25.4	165	46	10	5	2.30	147	33	M5-20	5.5	8	
		150	38.1		58					45				
		200	50.8		70					58				
		040	4		16					8				
	S2M	060	6	26	18	4	4	0.76	18	8	M3-12	3.4	6	
		100	10		24					15				
		060	6		18					10				
	S3M	100	10	39	22	6	5	1.14	31	14	M3-12	3.4	6	
		150	15		28					20				
100		10	26		16									
S5M	150	15	65	32	6	5	1.81	51	21	M4-15	4.5	8		
	250	25		42					31					
	150	15		34					22					
S8M	250	25	104	44	8	5	2.85	84	32	M5-20	5.5	8		
	300	30		50					37					
	400	40		60					47					
	100	10		26					16					
T5	150	15	65	32	6	5	1.2	51	21	M4-15	4.5	6		
	200	20		38					26					
	250	25		43					31					
	150	15		34					22					
T10	200	20	130	40	8	5	2.5	111	27	M5-20	5.5	8		
	250	25		44					32					
	300	30		50					37					
	150	15		34					22					

- Ⓜ Metal fitting of S□M type can be used with a P□M type belt.
- Ⓜ \* MXL025 is available for belt of MXL019.

- Ⓜ Do not machine mounting holes in a belt.
- Ⓜ The A Dimension is set for engaging 6 teeth (fitting).

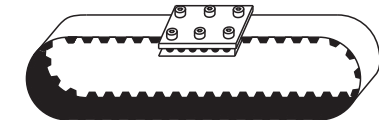
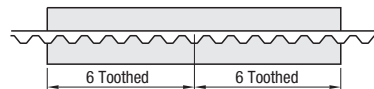


Ordering Example

Part Number		
Type	Belt Type	Belt Nominal Width
TBCS	- XL	025



Example



- Ⓜ Also can be used as metal fittings for the Open End Belts.