


# Clamping High Torque Timing Pulleys - S3M, S5M, S8M

■ **Features:** Can be connected with a shaft by screwing. Easy positioning.

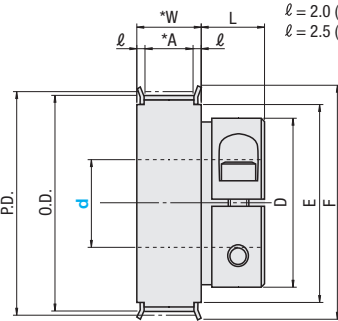


RoHS10

HTCPA  **S3M060**  
**S3M100**  
(Pitch 3.0mm)

HTCPA  **S5M100**  
**S5M150**  
(Pitch 5.0mm)

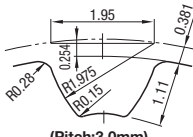
HTCPA  **S8M150**  
**S8M250**  
(Pitch 8.0mm)



ℓ = 2.0 (S3M Type)  
ℓ = 2.5 (S5M, S8M Type)

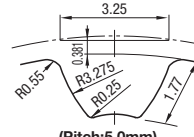
Standard Tooth Profile

**S3M**



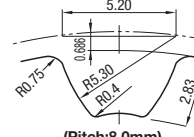
(Pitch:3.0mm)

**S5M**



(Pitch:5.0mm)

**S8M**



(Pitch:8.0mm)

■ **Recommended Shaft Tolerance h7 (g)**  
 ⚙️ Finish Surface Roughness: Ra = 3.2a or less.

Type	Material	Flange	Surface Treatment
HTCPA	A7075	A5052	Clear Anodize

\* Flange is installed.  
 \* Hex socket head cap screws are included. (SCM435, Black Oxide) ⚙️ Surface treatment may not be applied to shaft bores. Tooth groove dimensions slightly vary according to the number of teeth.

## S3M

■ For High Torque Timing Belts, see [P.1465](#).

Part Number	Type	Number of Teeth	Type, Nominal Width	d Selection	P.D.	O.D.	D	F	E	L	Clamp Screw		Unit Price	
											M	Tightening Torque (N·m)	S3M060	S3M100
HTCPA	S3M060	24	*A:7 *W:11	4	22.92	22.16	13	25	16	9	2	0.4		
		26		4	24.83	24.07		28	18					
		28		4	26.74	25.98		30	20					
		30		6 8	28.65	27.89		32	23					
		32		6 8	30.56	29.80		35	25					
		36		6 8	34.38	33.62		40	28					
	S3M100	40	*A:11 *W:15	8 10	38.20	37.44	26	44	32	12.5	3	1.5		
		44		8 10	42.02	41.25		48	36					
		48		8 10 11 12	45.84	45.07		50	38					
		50		8 10 11 12 13 14	47.75	46.98		52	40					
		50		8 10 11 12 13 14	47.75	46.98		56	40					
		60		8 10 11 12 13 14 15 16	57.30	56.53		61	46					

## S5M

■ For High Torque Timing Belts, see [P.1465](#).

Part Number	Type	Number of Teeth	Type, Nominal Width	d Selection	P.D.	O.D.	D	F	E	L	Clamp Screw		Unit Price													
											M	Tightening Torque (N·m)	S5M100		S5M150											
													d≤19	20≤d	d≤19	20≤d										
HTCPA	S5M100	24	*A:11 *W:16	8 10	38.20	37.24	26	45	30	12.5	3	1.5														
		25		8 10	39.79	38.83																				
		26		8 10	41.38	40.42																				
		28		8 10	44.56	43.60																				
		30		10	47.75	46.79																				
		32		10 11 12 13 14	50.93	49.97																				
		34		10 11 12 13 14 15 16	54.11	53.15																				
		36		10 11 12 13 14 15 16	57.30	56.34																				
		40		10 11 12 13 14 15 16 17 18 19	63.66	62.70																				
		44		12 13 14 15 16 17 18 19	70.03	69.07							46	74	58	15.5	5	6								
	44	20 21 22 23 24	55	16.5			6	12	-	-	-															
	S5M150	48	*A:17 *W:22	12 13 14 15 16 17 18 19	76.39	75.43	46	83	63	15.5	5	6	12	-	-	-	-									
		48		20 21 22 23 24 25	76.39	75.43								55	16.5	6	12	-	-	-						
		50		12 13 14 15 16 17 18 19	79.58	78.62								46	87	67	15.5	5	6							
		50		20 21 22 23 24 25										55			16.5	6	12	-	-	-				
		S5M250		60		12 13 14 15 16 17 18 19								95.49	94.53	46	99	80	15.5	5	6	12	-	-	-	-
				60		20 21 22 23 24 25																	55	16.5	6	12