

Idlers for Round Belts

Double

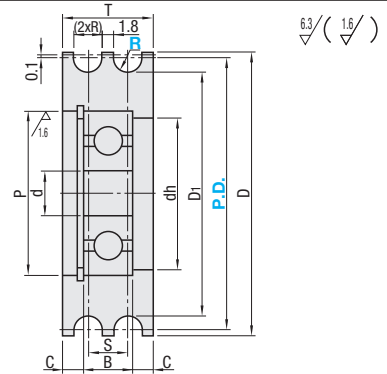
Idlers for Round Belts



RoHS10

Type	Material		Surface Treatment	Accessory
	Bearing	Main Body		
MBXAC	Stainless Steel	Aluminum Alloy	Clear Anodize	Retaining Ring (SUS304)
MBXS	Steel	SUS304	-	-

* Bearing Accuracy: JIS B1514 Class 0
 ⚠ Bearings are press-fit.
 ⚠ Cannot be disassembled.



Part Number Type	P.D.	R	S	d	P	dh	D	D ₁	T	B	C	Bearing	Applicable Round Belt Dia.	Unit Price		
														MBXAC	MBXS	
MBXAC MBXS	15	1.1	4	3	10	8	17	13	9	4	2.5	623ZZ	2			
	20			4	13	11	22	18	10	5		624ZZ				
	30			6	19	16	32	28	11	6		626ZZ				
	30	1.6	5	4	13	11	22	17	11	5	3	624ZZ	3			
	30			6	19	16	32	27		6	2.5	626ZZ				
	40			10	26	23	42	37		14	8	3		6000ZZ		
	45	47	42													
	23	2.1	6	6	15	13	25	19	13	5	4	696ZZ	4			
	28				19	16	30	24		6	3.5	626ZZ				
	30				32	26	42	36		14	8	3		6000ZZ		
	40				42	36	47	41			50	44				
	45				47	41										
	48	50	44													
	28	2.6	7	7	8	19	16	30	23	15	6	4.5	698ZZ	5		
	40				10	26	23	42	35	16	8	4	6000ZZ			
	50				12	32	27	52	45	10	3	6201ZZ				
	28	3.1	8	8	6	19	16	30	22	17	6	5.5	626ZZ	6		
	38				40	32	50	42	18	8	5	6000ZZ				
	48				50	42										
	50				52	44			21	10	4	6201ZZ				
	60				62	54				10	5.5	6201ZZ				
	75				77	69				11	5	6202ZZ				
	100	102	94													
	50	4.1	10	10	12	32	27	52	42	21	10	5.5	6201ZZ	8		
	60				62	52			11		5	6202ZZ				
	100				102	92										
	60	5.1	12	12	62	50	25	102	90	25	11	7	6202ZZ	10		
	100				102	90										
140	142				130											

⚠ For detailed bearing dimensions, see P989, 991.



Ordering Example
 Part Number - R
 MBXS30 - 1.6



Alterations
 Part Number - R - (DC)
 MBXA40 - 2.6 - DC

Alterations Code	O.D. Cut									
	DC									
Spec.	Reduces D diameter by cutting. Ordering Code DC									
	<table border="1"> <thead> <tr> <th>Available R</th> <th>DC</th> </tr> </thead> <tbody> <tr> <td>1.1</td> <td>PD.+0.8</td> </tr> <tr> <td>1.6</td> <td>PD.+1.2</td> </tr> <tr> <td>2.1</td> <td>PD.+1.6</td> </tr> <tr> <td>2.6</td> <td>PD.+1.8</td> </tr> </tbody> </table>	Available R	DC	1.1	PD.+0.8	1.6	PD.+1.2	2.1	PD.+1.6	2.6
Available R	DC									
1.1	PD.+0.8									
1.6	PD.+1.2									
2.1	PD.+1.6									
2.6	PD.+1.8									
	⚠ Applicable only to products with R 1.1, 1.6, 2.1 and 2.6. ⚠ Surface treatment may not be applied to the machined area.									