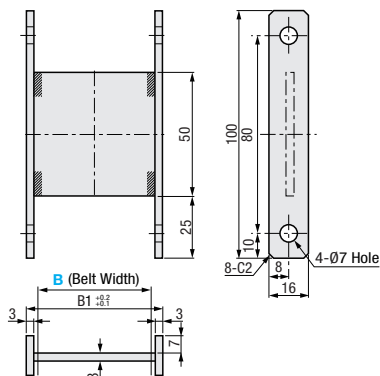


Conveyor Belt Support Cover Reinforcements

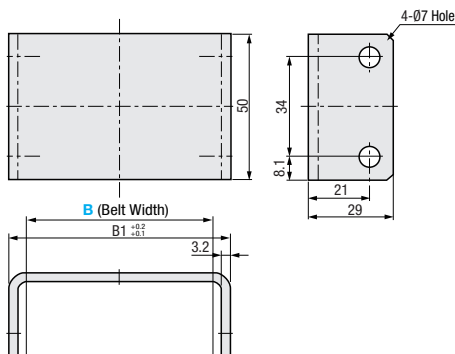
Dedicated web site <http://fa.misumi.jp/cvs/>
 Conveyor selecting, component purchases, and easy search for maintenance parts are available.



GPRF-C



GPRF-D



M Material	SS400
S Surface Treatment	Trivalent Chromate

RoHS 10

Part Number	Shape Selection	B 1mm Increment	Applicable Conveyors	Unit Price			
				B100~150	B151~200	B201~250	B251~300
GPRF	C	100~300	CVGP				
	D		CVGW				



Ordering Example

Part Number	-	Shape Selection	-	B
GPRF	-	C	-	100

- Conveyor belt support cover reinforcements are applicable when the belt width of the target conveyor is 160mm or more and distance between pulleys is 1505mm or more.
- Applicable conveyor CVGP is specified with (B1 = Belt Width - 10).
- Applicable conveyor CVGW is specified with (B1 = Belt Width - 20).



Example

