

# Timing Belt Conveyors Narrow Type

## Single Track, Center Drive, 2- / 3-Groove Frame (Pulley Dia. 19mm / 20mm)

■ **Features:** A slim width conveyor with 10mm, 20mm narrower belts. Space saving center drive mechanism is suitable for "Conveyor to Conveyor" transfer applications and intra equipment applications.



	Frame	Motor Cover ①	Motor Cover ②	Pulley Holder
M Material	Aluminum	Steel	SPCC	SPCC
S Surface Treatment	Clear Anodize	Paint	Paint	Paint

⊕ Calculation Formula for Belt Teeth:  
 -CVSTR10: (2L+205) / 5  
 -CVSTR20: (2L+230) / 5

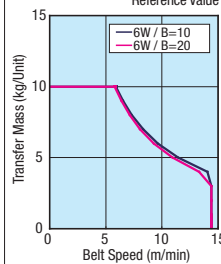
### ■ Gearhead Reduction Ratio

\*May decrease depending on load condition.

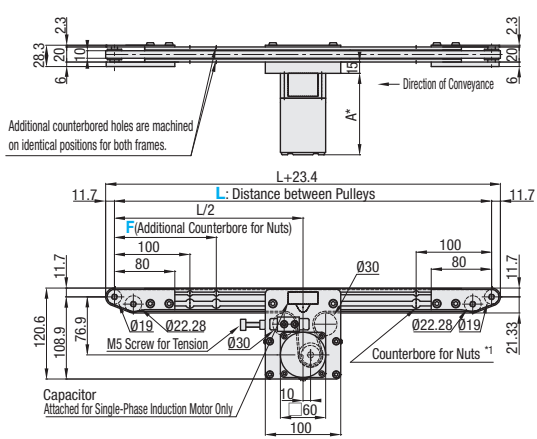
Gearhead Reduction Ratio	Belt Speed (m/min)	
	50Hz	60Hz
12.5	12.0	14.4
15	10.0	12.0
18	8.3	10.0
25	6.0	7.2
30	5.0	6.0
36	4.2	5.0
50	3.0	3.6
60	2.5	3.0
75	2.0	2.4
90	1.7	2.0
100	1.5	1.8
120	1.3	1.5
150	1.0	1.2
180	0.8	1.0

### ■ Conveying Capacity

\* Reference Value

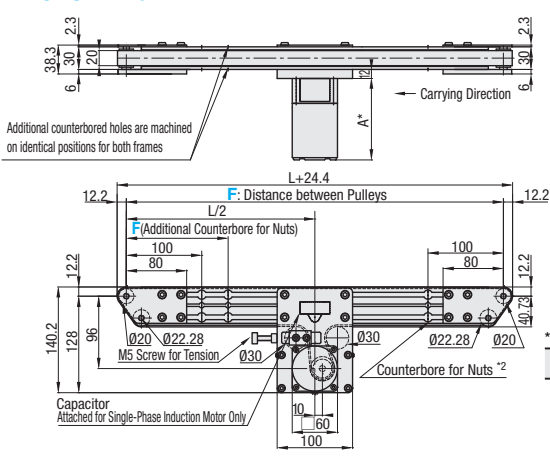


### CVSTR-10



\*1 When L ≤ 355, counterbores for the nuts will not be provided. However, each slot has 4 pre-inserted nuts provided.

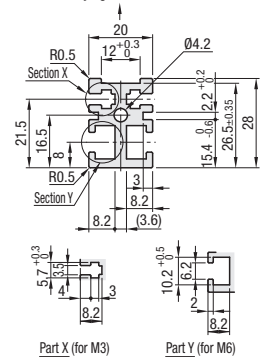
### CVSTR-20



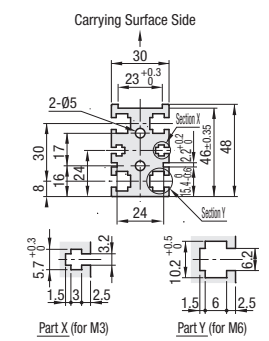
\*2 When L ≤ 355, counterbores for the nuts will not be provided. However, each slot has 4 pre-inserted nuts provided.

### Frame Cross Section and Enlarged View (Symmetrical)

Carrying Surface Side



⊕ Compatible with JIS standard hex nuts.



⊕ Compatible with JIS standard hex nuts.  
 \*Timing Belts used are T5 Type (P1473 LTBR, LTBJA). See product pages for details.

#### \* A Dimension Details

Output (W)	Motor Specification	Manufacturer	Reduction Ratio	A
6W	Induction Motor	Panasonic	12.5-25	101.0
			30-180	108.0
		Oriental	12.5-25	105.0
			30-180	115.0
	Variable Speed Motor	Taiwanese	12.5-75	114.7
			90-180	120.7
		Oriental	12.5-25	115.0
			30-180	125.0
Taiwanese	12.5-75	126.9		
	90-180	132.9		

Part Number	B Selection	L 5mm Increment	Output (W)	Motor		Gearhead Reduction Ratio	Belt Specification	F (Additional Counterbores) 5mm Increment	Motor Manufacturer Selection
				Voltage (V)	Specification				
CVSTR	10 20	330-2000	6	TA115 (Single-phase)	IM (Induction Motor)	12.5 15 18 25 30 36 50 60 75 90 100 120 150 180	H (General Purpose, Translucent) S (For Sliding, Green) J (No Belt)	110<F<L-110 *When not specified, there will be no additional counterbores.	A (Panasonic Motor) B (Oriental Motor) C (Taiwanese Motor)  R (No Motor, Gearhead)
				TA230 (Single-phase)	SCM *Oriental Motor only (Variable Speed Motor)				
				SA220 SA230 (3-Phase)	IM (Induction Motor)				
				⊕ Oriental only					
				NV (No Motor)	NH (No Gearhead)				

⊕ Connect the motor so that the belt rotates in the direction of conveyance. For connection diagram, and details of motor, see P 1267 onward. ⊕ For belt details, see P 1279 onward.  
 ⊕ When "No motor, gearhead" is selected, the motor mounting hole pitch will vary depending on the motor's power rating. Please see Technical Information in our Conveyor Selection web site for the dimension details.  
 ⊕ When "No motor, gearhead" is selected, this unit will be delivered unassembled. The customer is to assemble the unit according to the included assembly instructions. See our Conveyor Selection site for assembly procedures and packaging details.

#### Body Price 1 - 2 pc(s).

Part Number	B	L330-400	L405-500	L505-600	L605-700	L705-800	L805-900	L905-1000	L1005-1100	L1105-1200	L1205-1300	L1305-1400	L1405-1500	L1505-1600	L1605-1700	L1705-1800	L1805-1900	L1905-2000
CVSTR	10 20																	

⊕ For orders larger than indicated quantity, Days to Ship and Price are to be quoted.

Price with Motor	Motor Output Specification	Motor Manufacturer Selection				
		A (Panasonic Motor)	B (Oriental Motor)	C (Taiwanese Motor)	R (No Motor, Gearhead)	J (No Belt)
	6W	IM				
		SCM				

Ordering Example: CVSTR - 10 - 1000 - 6 - T100 - IM - 25 - H - F500 - C

Specify Drive Section Position Brackets for Speed Controller Included Post-Assembly Insertion Nuts Included Motors with Electromagnetic Brake Motor with Terminal Box