


# Guide Followers

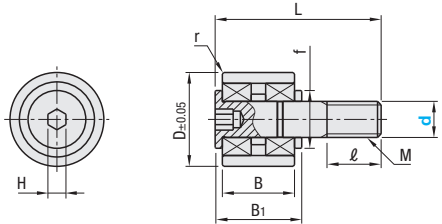
**Features:** Ball bearing-combined products used for transfers and guiding.

**Guide Followers**

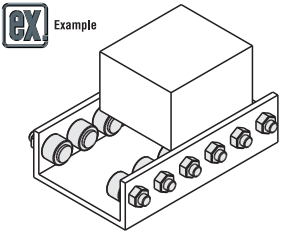


**RoHS 10**

Application	Type	Material		Accessory
		External Parts	Internal Parts (Bearing)	
General	<b>GFR</b>	SUS420	SUJ2	Hex Nut 1 pc. (SUS304)

Operating Temp.: 80°C or lower



**EX** Example

Part Number		D	MxPitch	B	B <sub>1</sub>	L	l	r	f (Min.)	H	Basic Load Rating			Mass (g)	Unit Price	
Type	d Tolerance										C (Dynamic) kN	Cor (Static) kN	Allowable Rotational Speed (rpm)			
<b>GFR</b>	3	10	3x0.5	8.5	9.5	17	5	0.2	6.8	1.5	0.840	0.268	52000	5		
	4	12	4x0.7	9	11	20	6	0.4	7.8	2	1.065	0.405	38000	8		
	5	-0.007	13	5x0.8	10	12	23	7.5		2.5	1.072	0.414	36000	11		
	6	-0.015	16	6x1.0	12	14	28	9	0.2	10.8	3	1.620	0.660	30000	18	
	8	19	8x1.25	16		32	11	13.8	4	2.415	1.065	24000	28			

Ordering Example **Part Number**  
**GFR6**

kgf=Nx0.101972