


Cam Followers

With Tapped Hole for Grease Fitting

Features: Tapped holes for grease fittings are provided. Easy to attach grease fittings, which makes it suitable for use when you need to constantly feed oil.

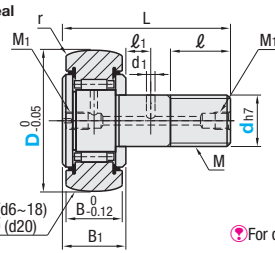
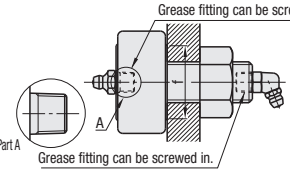
■ Crowned



RoHS 10

Application	Type With Seal	Material	Accessory
General	CFURT	SUJ2	1 Hex Nut (S45C Carbon Steel, Black Oxide)

■ With Seal





For d10 or less, tapped holes for grease fittings are machined only on the head part.
Operating Temp.: 80°C or lower

Part Number	Type	dn7 Tolerance	D (Selectable)	MxPitch	B	B1	L	d1	l	l1	r	f (Min.)	M1 (for Grease Fitting)	Unit Price	
															CFURT
6	8	10	12	16	18	20	24	28	32	36	40	44	48	52	M6x0.75 PT1/8
16	19	22	26	30	32	35	40	44	48	52	56	60	66	72	
12	16	18	20	24	28	32	36	40	44	48	52	56	60	66	
16	19	22	26	30	32	35	40	44	48	52	56	60	66	72	
18	20	24	28	32	36	40	44	48	52	56	60	66	72	78	
20	24	28	32	36	40	44	48	52	56	60	66	72	78	84	

For the performance of Cam Followers, see Table 1 on [P.1043](#).

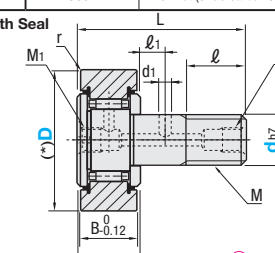
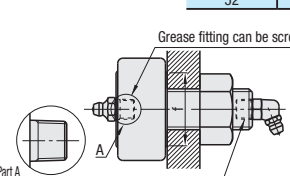
■ Flat



RoHS 10

Application	Type With Seal	Material	Accessory
General	CFVRT	SUJ2	1 Hex Nut (S45C Carbon Steel, Black Oxide)

■ With Seal

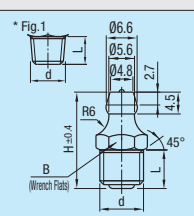
For d10 or less, tapped holes for grease fittings are machined only on the head part.
Operating Temp.: 80°C or lower

D	Tolerance
16	-0.008
19~30	-0.009
32~40	-0.011
52	-0.013

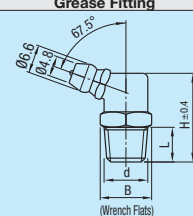
Part Number	Type	dn7 Tolerance	D (Selectable)	MxPitch	B	B1	L	d1	l	l1	r	f (Min.)	M1 (for Grease Fitting)	Unit Price	
															CFVRT
6	8	10	12	16	18	20	24	28	32	36	40	44	48	M6x0.75 PT1/8	
16	19	22	26	30	32	35	40	44	48	52	56	60	66		72
12	16	18	20	24	28	32	36	40	44	48	52	56	60		66
16	19	22	26	30	32	35	40	44	48	52	56	60	66		72
18	20	24	28	32	36	40	44	48	52	56	60	66	72		78
20	24	28	32	36	40	44	48	52	56	60	66	72	78		84

For the performance of Cam Followers, see Table 1 on [P.1043](#).

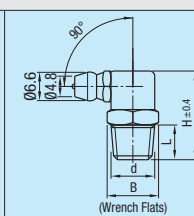
Alterations



Grease Fitting



GC



Code	GA (1 pc.), GA2 (2 pcs.)	GB (1 pc.), GB2 (2 pcs.)	GC (1 pc.), GC2 (2 pcs.)
Spec.	Applicable grease fitting is included. Ordering Code GA M1(d) H L B M6x0.75 13.5 5 7 PT1/8 20 9 10	Applicable grease fitting is included. Ordering Code GB M1(d) H L B M6x0.75 16.5 5 8 PT1/8 21.5 8 10	Applicable grease fitting is included. Ordering Code GC M1(d) H L B M6x0.75 17.5 5 8 PT1/8 21.5 8 10

* Drawing 1 shows the shape of thread part for PT1/8.

Material: Free-Cutting Brass (C3604) Surface Treatment: Nickel Plating



Ordering Example **Part Number** - **D**
CFURT12 - 30



Alterations **Part Number** - **D** - (GA, GB, GC)
CFURT12 - 30 - GA