


# Cam Followers

## Straight Slot

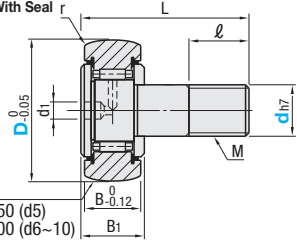
**■ Crowned**



**RoHS 10**

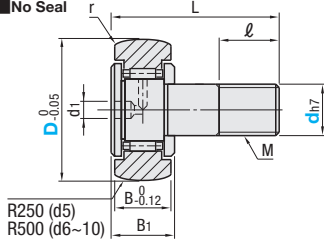
Application	Type		Material	Accessory
	With Seal	No Seal		
General	CFUR CFURS	CFU	SUJ2	1 Hex Nut (S45C Carbon Steel, Black Oxide)
Low Dust Generation	CFURC	-	SUS440C Equivalent	Hex Nut 1 pc. (SUS304)

**■ With Seal**

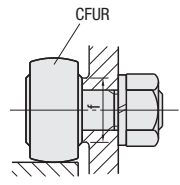


R250 (d5)  
R500 (d6~10)

**■ No Seal**



R250 (d5)  
R500 (d6~10)



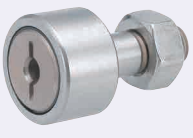
CFUR

☺ Grease hole is provided on the head only.  
 ☺ Operating Temp.: 80°C or lower

Part Number	Type	dh7 Tolerance	D (Selectable)	MxPitch	B	B <sub>1</sub>	L	d <sub>1</sub>	ℓ	r	f (Min.)	Unit Price												
												CFUR	CFURS	CFURC	CFU									
(With Seal) CFUR CFURS CFURC	5	0 -0.012	13	5x0.8	9	10	23	3.1	7.5	0.5	9.7													
												6	16	6x1.0	11	12	28	4	9	11				
																					8	19	8x1.25	32
(No Seal) CFU CFUS	10	0 -0.015	22	10x1.25	12	13	36	13	1	15														
											26													

☺ The standards of d12 to 20 have been modified to those with the hex socket on the head and thread. For the new part number, see P.1044. ☺ For the performance of Cam Followers, see Table 1 on P.1043.

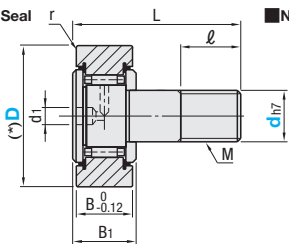
**■ Flat**



**RoHS 10**

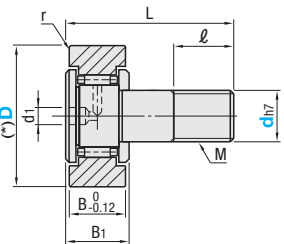
Application	Type		Material	Accessory
	With Seal	No Seal		
General	CFFR CFFRS	CFR	SUJ2	1 Hex Nut (S45C Carbon Steel, Black Oxide)
Low Dust Generation	CFFRC	-	SUS440C Equivalent	Hex Nut 1 pc. (SUS304)

**■ With Seal**

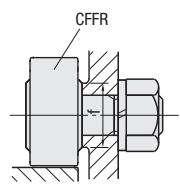


(\*) D

**■ No Seal**



(\*) D



CFFR

D	Tolerance
13 - 16	-0.008
19 - 26	-0.009

☺ Grease hole is provided on the head only.  
 ☺ Operating Temp.: 80°C or lower

Part Number	Type	dh7 Tolerance	D (Selectable)	MxPitch	B	B <sub>1</sub>	L	d <sub>1</sub>	ℓ	r	f (Min.)	Unit Price												
												CFFR	CFFRS	CFFRC	CFR									
(With Seal) CFFR CFFRS CFFRC	5	0 -0.012	13	5x0.8	9	10	23	3.1	7.5	0.5	9.7													
												6	16	6x1.0	11	12	28	4	9	11				
																					8	19	8x1.25	32
(No Seal) CFR CFFRS	10	0 -0.015	22	10x1.25	12	13	36	13	1	15														
											26													

☺ The standards of d12 to 20 have been modified to those with the hex socket on the head and thread. For the new part number, see P.1044. ☺ For the performance of Cam Followers, see Table 1 on P.1043.

Ordering Example

Part Number	-	D
CFUR10	-	22