


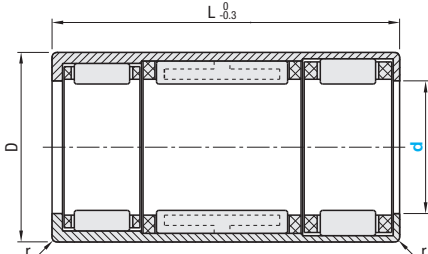
One-Way Clutches

■ **Features:** Bearings are on both ends of the clutch to support radial loads.




RoHS 10

BHFL




■ One-Way Clutch Structure

During Lock-up



Shaft torque is transmitted to the housing during lock-up.

During Free Running



Shaft torque is not transmitted to the housing during free running.

■ Recommended Fits

Shaft	Housing	
	Steel	Light Metal
h5(h6)	N6(N7)	R6(R7)

*When applied torque is smaller than half the allowable torque, tolerance in () can be applied.

⚠ Note the mounting direction as the clutch will lock in one direction and free-spin in the other.

M Material: SPCC

Part Number		D	L	r (min)	Allowable Torque N·m	Allowable Rotational Speed		Mass (g)	Unit Price
Type	d					During Shaft Rotation rpm	During Outer Race Rotation rpm		
BHFL	6	10	22	0.3	1.76	23000	13000	4	
	8	12			3.15	17000	12000	7	
	10	14			5.3	14000	11000	8	
	12	18	26		12.2	11000	8000	18	
	14	20			17.3	9500	8000	20	
	16	22			20.5	8500	7500	22	
	18	24			24.1	7500	7500	25	
	20	26			28.5	7000	6500	27	
	25	32			66	5500	5500	44	
	30	37	30		90	4500	4500	51	
	35	42			121	3900	3900	58	

Ordering Example
Part Number
BHFL10

⚠ kgf=Nx0.101972

ex Example

