

Bearings with Housings

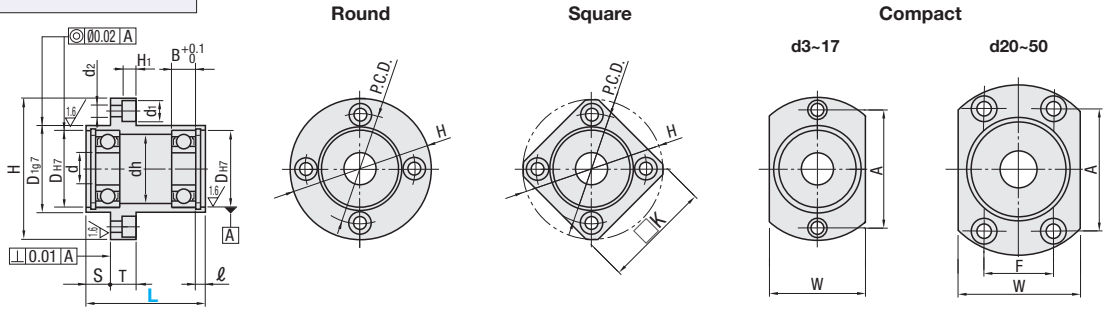
Double Bearings with Pilot, Retained, L Selectable



Type			Material		Surface Treatment		Accessory
Round	Square	Compact	Bearing	Housing	Bearing	Housing	Retaining Ring
BGRZB	BGSZB	BGCZB	Steel	S45C	Black Oxide		Spring Steel
BGRZ	BGSZ	BGCZ		Equivalent	Electroless Nickel Plating		SUS304 ¹
BARZ	BASZ	BACZ		2000series	Clear Anodize		
SBARZ	SBASZ	SBACZ	* Stainless Steel	Aluminum Alloy			SUS304
SBGRZ	SBGSZ	SBGCZ		SUS304			

* Bearings with Rubber Seals (VV and DD) are all made of steel.
 Ⓜ 1 When D is 68 ~ 90, the retaining ring is Spring Steel + Electroless Nickel Plating.

6.3 / (1.6 /)



Part Number		L	S	d	DH7	Tolerance	B	ℓ	H	W	T	dh	D197	Tolerance	P.C.D.	K	A	F	d1	d2	H1	
Type	Bearing No.	Seal	Selection																			
(Round)	623		20 30	5	3	10	+0.015	4	2.65	33	16	7	7	14	-0.006	24	27	24		6.5	3.5	3.1
	624		20 30	5	4	13		5	2.65	35	18		9	17	-0.024	26	28	26				
	605		25 35	5	14		+0.018	5	2.65	38	20		10	18		28	30	28				
	625		35 40	10	5	16	0	5	2.65	40	22		12	20		30	31	30				
	606		25 40	5	17			6	2.65	41	23		13	21		31	32	31				
	626		35 45	10	19			6	2.65	44	25		15	24		34	34	34				
	698		25 35	5	19			6	2.65	44	25		15	24	-0.007	34	34	34				
	608		25 35	5	8	22		7	2.65	47	29		18	27	-0.028	37	36	37				
	628		35 45	10	24			8	2.85	50	32		20	30		40	37	40				
	6800		20 30	5	19			5	2.65	44	25		15	24		34	34	34				
	6900		25 40	5	10	22	+0.021	6	2.65	47	29	8	19	27		37	36	37	8	4.5	4.1	
	6000		35 50	10	26		0	8	2.85	52	34		22	32	-0.009	42	39	42				
	6200		45 55	15	30			9	2.85	56	38		24	36	-0.034	46	42	46				
	BGRZB		25 35	5	21			5	2.85	47	29		17	26	-0.007	37	36	37				
	BGRZ		35 50	10	24			6	2.85	50	31		21	30	-0.028	40	38	40				
	BARZ		35 50	10	28			8	2.85	54	36		24	34	-0.009	44	40	44				
	SBARZ		45 55	15	32		+0.025	10	2.85	58	40		26	38	-0.034	48	43	48				
	SBGRZ		25 35	10	24		+0.021	5	2.85	50	32		20	30	-0.028	40	37	40				
(Square)	6902		35 60	10	28		0	7	2.85	59	37		25	35		47	45	47				
	BGSZB		45 65	15	32		+0.025	9	2.85	62	40		28	38		50	46	50				
	BGSZ		50 65	15	35		0	11	3.75	66	44		29	42		54	49	54				
	BASZ		45 55	15	30		+0.021	7	2.85	60	38	10	27	36		48	46	48	9.5	5.5	5.1	
	SBASZ		50 65	15	17	35		10	3.75	66	44		31	42	-0.009	54	50	54				
	SBGSZ		60 70	20	40			12	3.95	72	50		34	48	-0.034	60	54	60				
(Compact)	6804		35 50	10	32			7	3.75	62	40		28	38		50	46	44	24			
	6904		50 65	15	37		+0.025	9	3.75	72	47		34	45		59	54	54	24			
	6004		60 70	20	42		0	12	3.95	77	54		36	50	-0.010	64	59	56	32			
	BGCZB		65 70	20	47			14	3.95	81	58	11	40	54	-0.010	68	62	59	34	11	6.6	6.1
	BGCZ		35 50	15	37			7	3.75	72	47		34	45	-0.009	59	54	54	24			
	BACZ		35 50	15	42			9	3.95	77	54		36	50	-0.034	64	59	55	32			
	SBACZ		60 80	20	25	47		12	3.95	88	58		41	54	-0.010	72	67	63	36	14	9	8.1
	SBGCZ		65 80	20	52		+0.030	15	4.2	94	64	13	45	60	-0.040	78	72	68	39			
	6806		35 50	15	42		+0.025	7	3.95	77	54	11	36	50	-0.009	64	59	56	32	11	6.6	6.1
	6906		35 50	15	47		0	9	3.95	88	58		41	54		72	67	62	36			
	6006		60 80	20	55			13	4.2	96	66		48	62	-0.010	80	73	70	40	14	9	8.1
	6206		70 80	20	62			16	4.2	104	74		55	70	-0.040	88	79	77	44			
	6007		70 80	20	62			14	4.2	104	74		55	70		88	79	75	44			
	6207		70 90	20	35	72	+0.030	17	6	126	88	20	64	84	-0.012	105	95	92	51	17.5	11	11
	6008		80 90	25	68			15	5.2	114	82	13	60	78	-0.010	96	86	80	54	14	9	8.1
	6208		70 90	20	80			18	6	134	96		74	92	-0.040	113	102	98	56			
	6010		80	20	80			16	6	134	96	20	74	92	-0.012	113	-	98	56	17.5	11	11
	6210		100	20	90		+0.035	20	7	147	110		83	106		126	-	104	72			

Ⓜ Check for available sizes in the price list.

Ⓜ 1 No. 623, 624, 605 and 606 are not available for VV (Non-contact Sealed).

Ⓜ 2 Bearings with Rubber Seals are all made of steel.