


# Brackets for Ball Screws

## Block Type

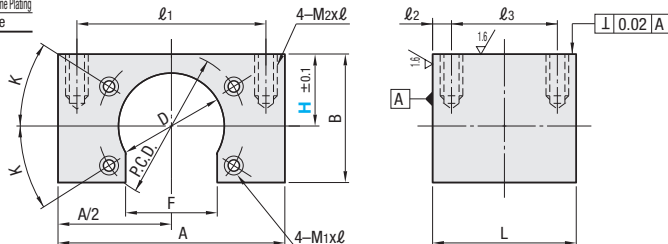
There are a lineup of variations that match the nut sizes of the MISUMI ball screws.

**Brackets for Ball Screws**



**RoHS 10**

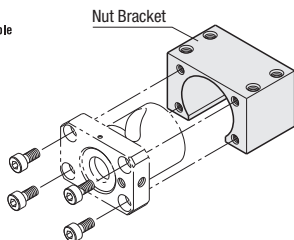
Type	Material	Surface Treatment
BNFB	S45C	Black Oxide
BNFM	Equivalent	Electroless Nickel Plating
BNFR	S45C	Low Temperature Black Chrome Plating
BNFA	Aluminum Alloy	Clear Anodize



Part Number		H										MISUMI Ball Screw				
Type	No.	Selection										BSX (C3)	BSS (C5) BSSE (C7)	BS (C10)	BS (C10)	
801X	10 20	30	H+8	19	30	M3x5	12.4	24	8	16	3	10	M3x5	0801	-	-
802S	18 20 23 25	40	H+13	27	45	M3x5	20.4	30	14	28	8	-	-	0802	0802	-
802C	17 20 23 25	40	H+10	24	30	M4x7	16.4	30	12	-	-	-	-	-	-	0802
802R	17 20 23 25 28 30	43	H+12	30	0	M4x7	20.4	34	17	24	6	-	-	-	-	0802
804R	17 20 23 25 28 30	43	H+12	30	0	M3x5	20.4	34	17	24	6	-	-	-	-	0804
1002R	17 20 23 25 28 30	50	H+13.5	33	30	M3x5	23.4	42	16	-	-	-	-	-	-	1002
1002X	17 20 23 25 28 30	43	H+15.5	31	45	M3x5	23.4	34	16	26	7	-	-	-	-	1002
1002S	17 20 23 25 28 30	50	H+13.5	33	30	M3x5	23.4	42	16	24	6	-	-	-	-	1002
1004S	20 23 25 28 30 35 40	52	H+14	36	30	M4x7	26.4	42	22	32	10	16	-	-	-	1004
1004C	17 20 23 25 28 30 35 40	50	H+13	31	30	M4x7	22.4	40	18	24	6	-	-	-	-	1004
1004R	17 20 23 25 28 30 35 40	52	H+14	36	30	M4x7	26.4	42	22	27	6	15	-	-	-	1004
1010R	17 20 23 25 28 30 35 40	52	H+15	36	30	M4x7	28.4	42	23	-	-	-	-	-	-	1010
1010S	17 20 23 25 28 30 35 40	50	H+17	33	45	M5x7	25.4	40	15	28	8	14	-	-	-	1010
1202S	20 23 25 28 30 35 40	50	H+20.5	41	45	M5x7	30.4	40	20	34	7	20	-	-	-	1202
1204S	20 23 25 28 30 35 40	52	H+14	33	30	M4x7	24.4	42	20	27	6	15	-	-	-	1204
1204R	20 23 25 28 30 35 40	52	H+15	40	30	M4x7	24.4	42	20	29	7	15	-	-	-	1204
1205S	20 23 25 28 30 35 40	60	H+16	41	40	M5x7	30.4	50	24	36	8	-	-	-	-	1205
1210S	20 23 25 28 30 35 40	60	H+16	41	40	M4x7	30.4	50	24	40	10	-	-	-	-	1210
1405R	20 23 25 28 30 35 40	60	H+16	41	40	M4x7	30.4	50	24	40	10	-	-	-	-	1405
1505C	20 23 25 28 30 35 40 45	62	H+17	42	44	M5x7	31.4	52	28	34	7	20	-	-	-	1505
1505R	20 23 25 28 30 35 40 45	62	H+17	42	44	M4x7	31.4	52	28	34	7	20	-	-	-	1505
1505S	20 23 25 28 30 35 40 45	62	H+17	42	44	M4x7	31.4	52	28	34	7	20	-	-	-	1505
1510S	20 23 25 28 30 35 40 45	62	H+17	42	44	M5x7	34.4	52	28	36	8	11	-	-	-	1510
1510C	20 23 25 28 30 35 40 45	62	H+17	42	44	M5x7	34.4	52	28	36	8	11	-	-	-	1510
1510R	20 23 25 28 30 35 40 45	62	H+17	42	44	M5x7	34.4	52	28	36	8	11	-	-	-	1510
1520S	23 25 28 30 35 40 45	72	H+19	49	53	M6x10	36.4	60	26	40	10	20	-	-	-	1520
2005C	25 28 30 35 40 45	72	H+19	49	53	M6x10	36.4	60	26	40	10	20	-	-	-	2005
2010C	25 28 30 35 40 45	76	H+20	53	57	M6x10	40.4	64	34	50	30	30	-	-	-	2010
2005S	25 28 30 35 40 45	76	H+20	53	57	M4x7	40.4	56	34	55	35	-	-	-	-	2005
2005R	25 28 30 35 40 45	68	H+19.5	50	53	M5x7	40.4	56	32	40	15	40	-	-	-	2005
2020R	25 28 30 35 40 45	68	H+19.5	50	53	M5x7	40.4	56	32	40	15	40	-	-	-	2020
2505C	28 30 35 40 45 55	76	H+24	53	57	M6x10	42.4	64	32	40	20	20	-	-	-	2505
2505R	28 30 35 40 45 55	76	H+21	55	59	M5x7	43.4	62	38	60	35	-	-	-	-	2505
2010S	28 30 35 40 45 55	82	H+23	59	60	M6x10	46.4	70	40	55	35	-	-	-	-	2010/2020
2525R	28 30 35 40 45 55	82	H+23	59	60	M6x10	46.4	70	40	55	35	-	-	-	-	2525
2505S	30 35 40 45 55	76	H+28.5	55	68	M8x12	47.4	64	32	40	20	20	-	-	-	2505
2010R	35 40 45 55	84	H+26	67	70	M8x12	52.4	72	46	60	40	30	-	-	-	2010
2510S	35 40 45 55	94	H+26	65	68	M8x12	80	44	55	35	-	-	-	-	-	2510/2520
2510R	35 40 45 55	100	H+30	78	30	M6x10	60.4	86	54	60	40	40	-	-	-	2510
2806R	35 40 45 55	87	H+26	65	68	M6x10	50.4	75	42	60	40	40	-	-	-	2806
3232R	35 40 45 55	106	H+30	74	30	M8x12	58.4	86	50	75	55	55	-	-	-	3232
3210R	40 45 55	116	H+33	85	30	M8x12	67.4	96	58	80	60	60	-	-	-	3210

No. 802R has 2 holes. No. [ ] [ ] [ ] C is for C10 Rolled Ball Screws Compact Type.

Ordering Example: Part Number - H  
BNFB802S - 20



No.	Unit Price				No.	Unit Price			
	BNFB	BNFM	BNFR	BNFA		BNFB	BNFM	BNFR	BNFA
801X					1505C				
802S					1505R				
802C					1505S				
802R					1510S				
804R					1510C				
1002R					1510R				
1002X					1520S				
1002S					2005C				
1004S					2010C				
1004C					2005S				
1004R					2005R				
1010R					2020R				
1010S					2505C				
1202S					2505R				
1204S					2010S				
1204C					2525R				
1204R					2505S				
1205S					2010R				
1405R					2510S				
					2510R				
					2806R				
					3232R				
					3210R				