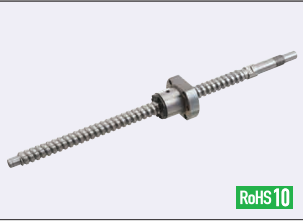


**Points of comparison
between similar products**

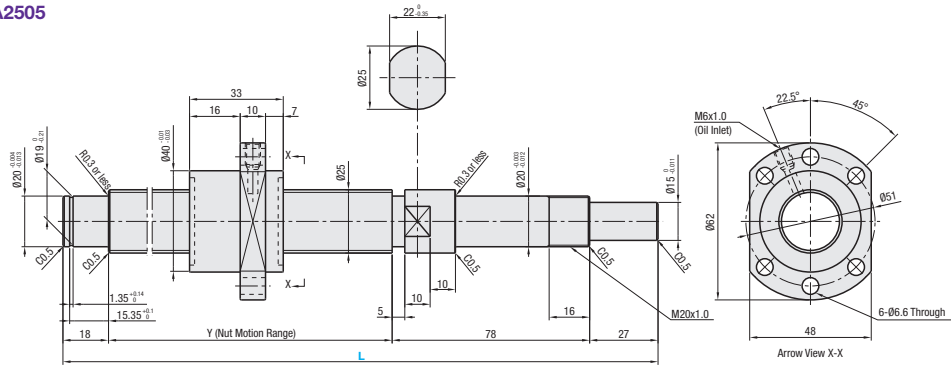
- Due to the difference in load rating and positioning accuracy (lead accuracy + axial play), the price is lower than that of similar products.
- When considering adopting C-VALUE parts, select them by comparing against similar products in the specifications. ☞ P. 749 - P. 750.



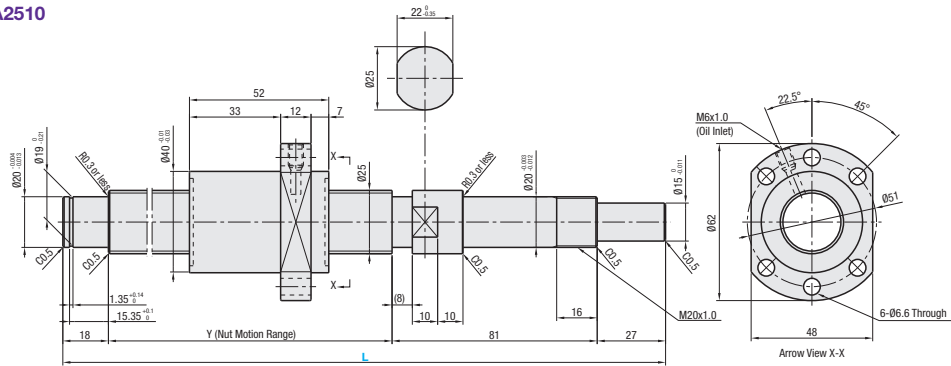
RoHS 10

Nut Type	Type	Accuracy Grade	Shaft Dia.	Lead	Screw Shaft		Nut	
					Material	Hardness	Material	Hardness
Standard Nut	C-BSSA	C5	25	5, 10, 25	S55C	Induction Hardened 58-62 HRC	SCM415	Carburized 58-62 HRC

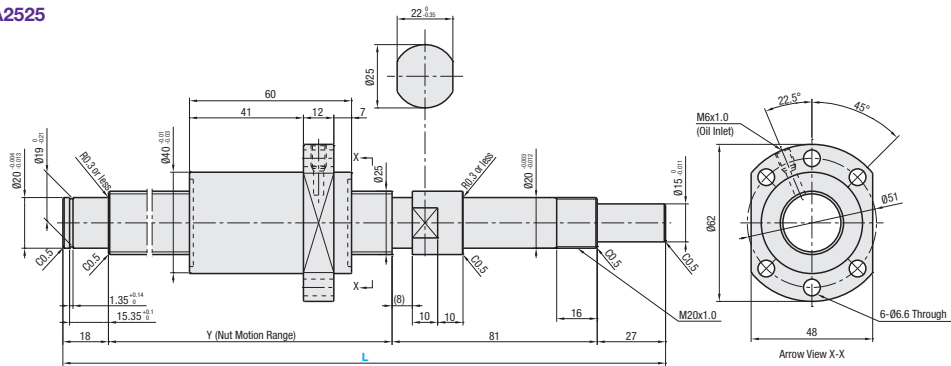
C-BSSA2505



C-BSSA2510



C-BSSA2525



Nut Type	Accuracy Grade	Part Number		1 mm Increments L	Y	Ball Dia.	Ball Center Dia.	Screw Root Dia.	Number of Circuits	Basic Load Rating		Axial Clearance	Preload Torque N-cm	Twisting Direction	
		Type	Screw Shaft O.D.							C (Dynamic) kN	Co (Static) kN				
Standard Nut	C5	C-BSSA	25	05	300-995	L-123	3.175	26.08	(22.905)	3.8 turns, 1 row	7.8	18.2	0.015 or less	6.0 or less	Right
				10	300-1500						L-126	11.3			
				25							7.3	14.1			

kgf = N x 0.101972