

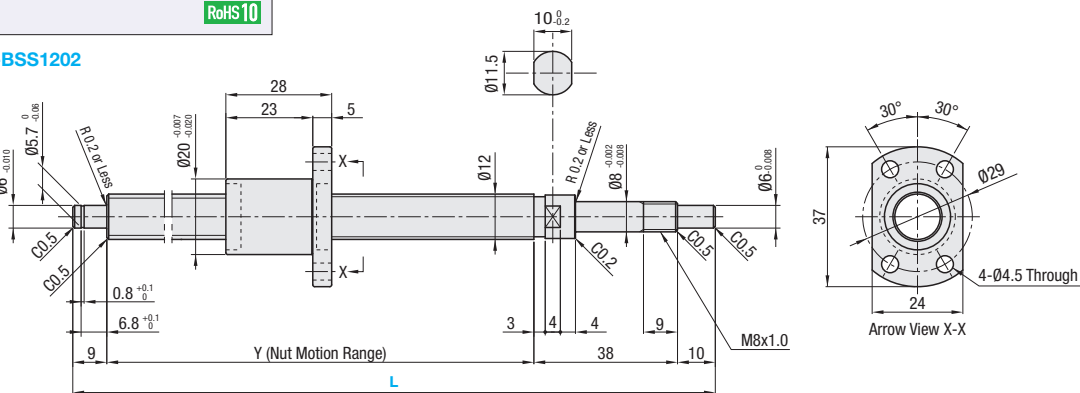
Points of comparison between similar products

- Due to the difference in load rating and positioning accuracy (lead accuracy + axial play), the price is lower than that of similar products.
- When considering adopting C-VALUE parts, select them by comparing against similar products in the specifications. ☞ P. 737 ~ P. 738.

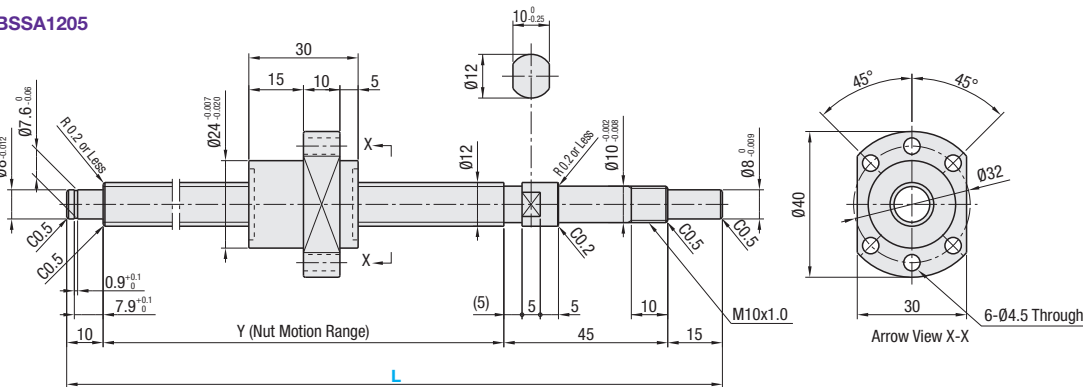


Nut Type	Type	Accuracy Grade	Shaft Dia.	Lead	Screw Shaft		Nut	
					Material	Hardness	Material	Hardness
Standard Nut	C-BSS	C5	12	2	S55C	Induction Hardened 58-62HRC	SCM415	Carburized 58-62HRC
	C-BSSA			5, 10				

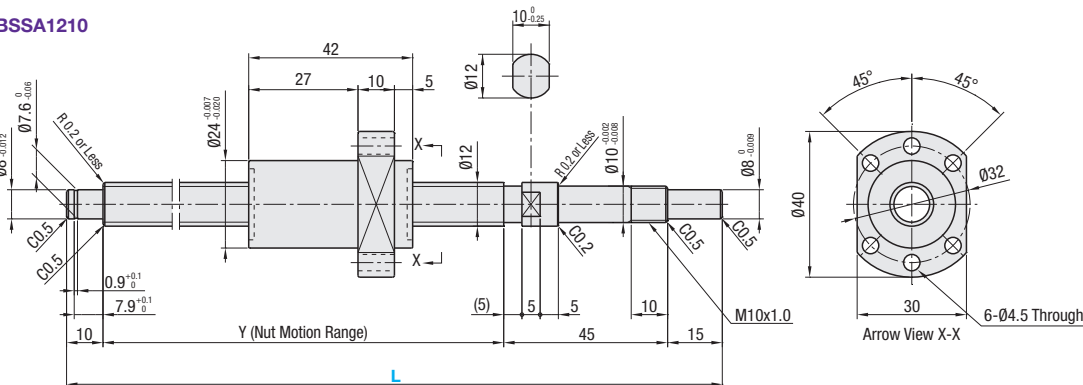
C-BSS1202



C-BSSA1205



C-BSSA1210



Nut Type	Accuracy Grade	Part Number		1mm Increment L	Y	Ball Dia.	Ball Center Dia.	Screw Root Dia.	Number of Circuits	Basic Load Rating		Axial Clearance	Preload torque N·cm	Twist Direction
		Type	Screw Shaft O.D.							Lead	C (Dynamic) kN			
Standard Nut	C5	C-BSS	12	02	150~445	L-57	1.2	12.41	(11.21)	1 turn 4 rows	1.7	2.9	0.008 or Less	Right
				05	150~450	L-70	2.5	12.3	(9.8)	2.8 turns 1 row	4.2	6.9		
		C-BSSA	10	200~600	2.7						4.1			