

Precision Ball Screws Compact Nut - Shaft Dia. 6, 8, Lead 1, 2 Accuracy Grade C3, C5, C7



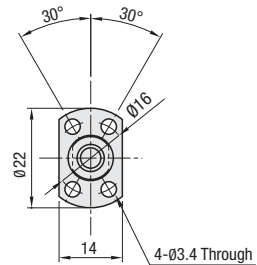
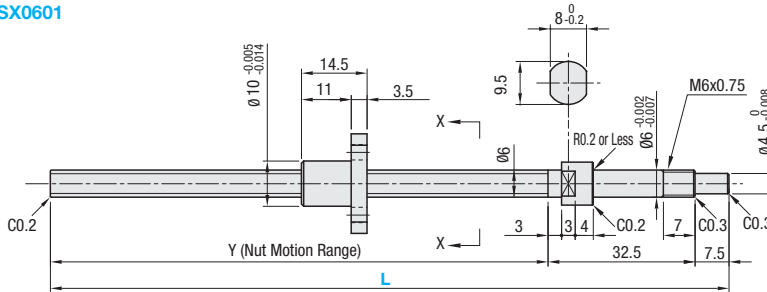
Points of comparison between similar products | Consider using this product if the usage environment is a high-load, and high-frequency drive application.



RoHS 10

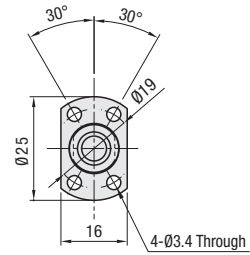
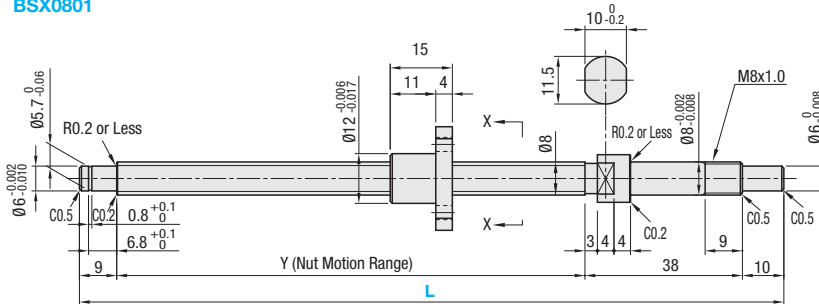
Nut Type	Type	Accuracy Grade	Shaft Dia.	Lead	Screw Shaft		Nut	
					Material	Hardness	Material	Hardness
Compact Nut	BSX	C3	6, 8	1, 2	SCM415	Carburized 58-62HRC	SCM420	Carburized 58-62HRC
	BSS	C5	8	2				
	BSSE	C7	8	2				

BSX0601



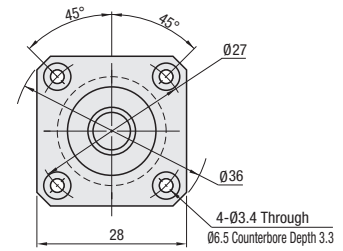
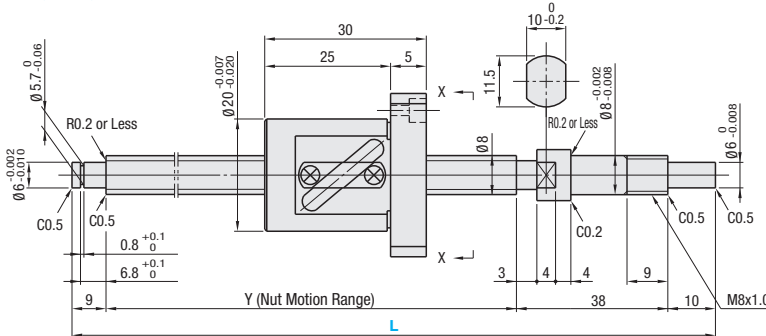
Allow View X-X

BSX0801



Arrow View X-X

BSX, BSS, BSSE0802



Arrow View X-X
BSX0802 comes with felt seals.

Nut Type	Accuracy Grade	Part Number			1mm Increment L	Y	Ball Dia.	Ball Center Dia.	Screw Root Dia.	Number of Circuits	Basic Load Rating		Axial Play	Preload Torque N·cm	Twisting Direction	
		Type	Screw Shaft O.D.	Lead							C (Dynamic) kN	Co (Static) kN				
Compact Nut	C3	BSX	06	01	80~205	L-40	0.800	6.24	(5.3)	1 turn, 3 rows	0.55	1.15	0 (Preloaded)	1.3 or Less	Right	
			08	01	80~255						0.65	1.6		1.8 or Less		
Standard Nut	C5	BSS	08	02	100~240	L-57	1.5875	8.3	(6.6)	2.5 turns, 1 row	1.22	1.3	0.005 or Less	0.3~2.6	Right	
					100~210						1.95	2.6		0.030 or Less		-
					BSSE											

kgf=Nx0.101972