

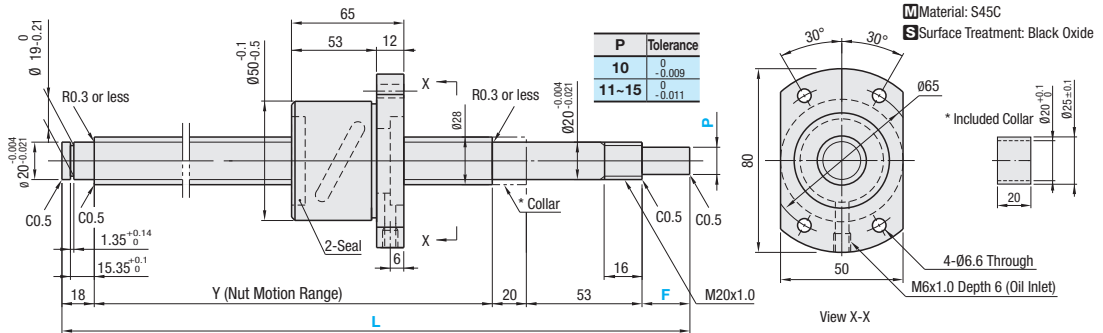
Rolled Ball Screws Standard Nut - Shaft Dia. 28, 32; Lead 6, 10, 32

Accuracy Grade C7, C10

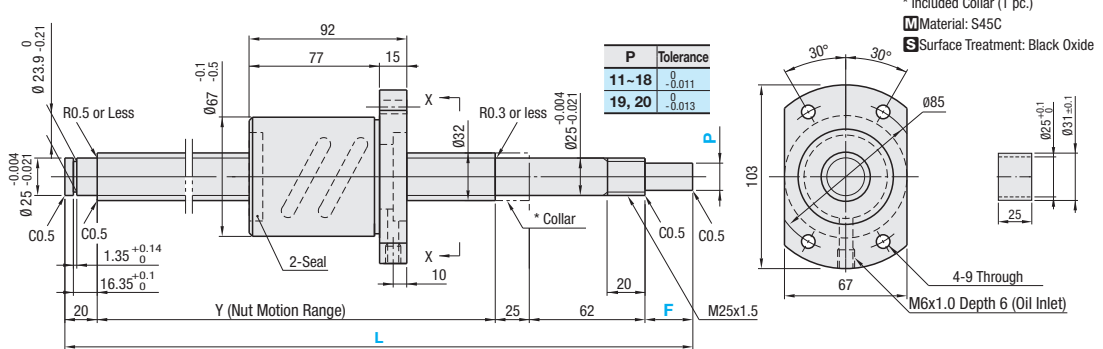


Nut Type	Type		Accuracy Grade	Shaft Dia.	Lead	Screw Shaft			Nut		
	Standard	F, P Configurable				Material	Hardness	Surface Treatment	Material	Hardness	Surface Treatment
Standard Nut	BSSR	BSSRK	C10	28, 32	6, 10, 32	S55C	Induction Hardened 58-62HRC	Phosphate Conversion Coating	SCM420	Carburized 58-62HRC	Low Temperature Black Chrome
	BSSZ	BSSZK									

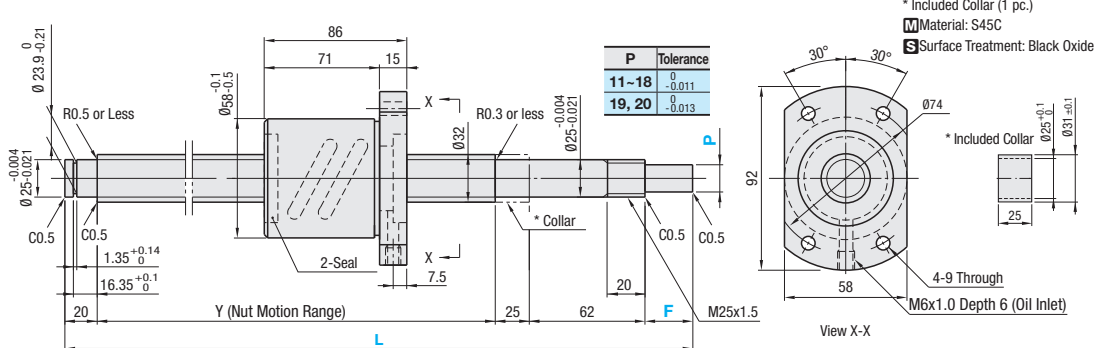
BSSR(K), BSSZ(K)2806



BSSR(K), BSSZ(K)3210



BSSR(K), BSSZ(K)3232



Nut Type	Accuracy Grade	Part Number		1mm Increment			Y	Ball Dia.	Ball Center Dia.	Screw Root Dia.	Number of Circuits	Basic Load Rating C (Dynamic) kN Co (Static) kN	Axial Play	Twisting Direction	
		Type	Screw Shaft O.D.	L	*F	*P									
Standard Nut	C10	BSSR	28	06	250-2000	27	15	L-118	3.175	28.8	(25.6)	2.5 turns, 2 rows	12.1	42.3	0.10 or Less
		BSSZ				27-45	10-15	L-(91+F)							
		BSSRK BSSZK				33	20	L-140							
		BSSR	32	10	300-2000	33-60	11-20	L-(107+F)	6.35	33.8	(27.2)	1.5 turns, 2 rows	32.8	86.7	0.20 or Less
		BSSZ				33	20	L-140							
		BSSRK BSSZK				33-60	11-20	L-(107+F)							

* F and P are configurable for BSSRK and BSSZK only. ⚙️ F=Px3

kgf=Nx0.101972