


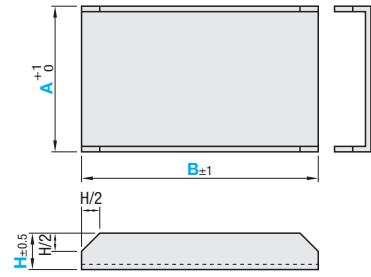
Cable Carrier Supporter Channels



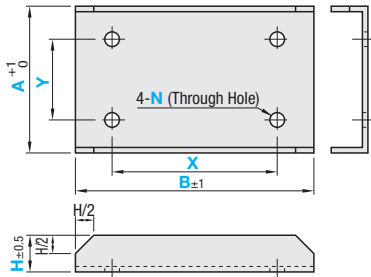
Type	Mounting Hole	Material	Plate Thickness (mm)	Surface Treatment
CBC	Not	SECC	1.6	Electrolytic Zinc Plating
CBCS	Provided	SUS430	1.5	-
CBCH	Not	SECC	1.6	Electrolytic Zinc Plating
CBCSH	Provided	SUS430	1.5	-

<Machining Conditions>
 $4+N \leq Y \leq A - (14+N)$
 $4+N \leq X \leq B - (10+N)$

No Mounting Hole



With Mounting Hole



RoHS 10

Part Number Type	A Selection	B 5mm Increment	H	X Y		N Selectable (Hole Dia.)
				1mm Increment		
CBC CBCS CBCH CBCSH	40	200~1000	10	10~984	10~20	6 7 9 11
	50				10~30	
	60		10~40			
	70		10~50			
	80		10~60			
	90		10~70			
	120		20		10~100	



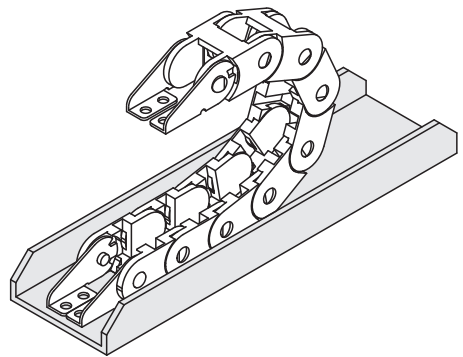
Ordering Example

Part Number - A - B - H - X - Y - N
CBCH - A70 - B800 - H10 - X700 - Y30 - N11



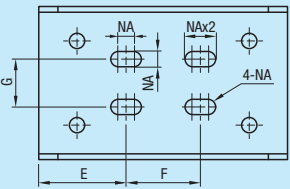
Example

A	B	Unit Price			
		CBC	CBCS	CBCH	CBCSH
40	200~395				
	400~695				
	700~1000				
50	200~395				
	400~695				
	700~1000				
60	200~395				
	400~695				
	700~1000				
70	200~395				
	400~695				
	700~1000				
80	200~395				
	400~695				
	700~1000				
90	200~395				
	400~695				
	700~1000				
120	200~395				
	400~695				
	700~1000				



Alterations

Part Number - A - B - H - X - Y - N - (TC)
CBCH - A70 - B800 - H10 - X700 - Y30 - N11 - TC - E70 - F30 - G30 - NA5

Alteration	Code	Spec.
	TC	Applicable to With Mounting Hole Type. Adds cable carrier mounting holes. Specify E, F and G in 1mm increment. Select NA from 5, 6 or 7. (Ordering Code) TC-E30-F30-G40-NA5 <Machining Conditions> $4+NA \leq G \leq A - (14+NA)$ $4+NAx2 \leq F \leq B - (10+NAx2)$ $4+NA \leq E \leq B - (F+4+NA)$