


Slide Rails

Heavy Load, Steel

Load Rating: 355N~843N/2 pcs.

■ **Features:** Lockable slide rails in full open state. See App. Example **P.630**.

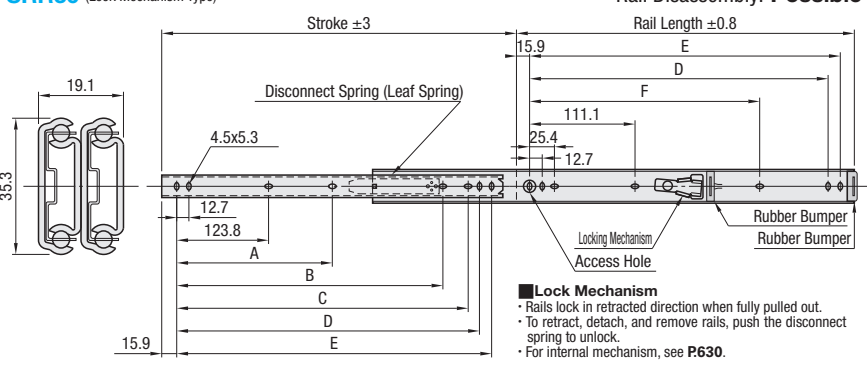
■ **Steel, Three-Step**



RoHS10

SRR36 (Lock Mechanism Type)

Rail Disassembly: Possible



■ **Lock Mechanism**

- Rails lock in retracted direction when fully pulled out.
- To retract, detach, and remove rails, push the disconnect spring to unlock.
- For internal mechanism, see **P.630**.

M Material: Steel
 S Surface Treatment: Bright Chromate (Trivalent Chromium)


Part Number		Rail Length	Stroke	A	B	C	D	E	F	Load Rating (N/2 pcs.)	Unit Price	Volume Discount Rate
Type	No.										1 ~ 5 pc(s)	6 ~ 20 pcs
SRR36	12	305	327.2	-	-	-	260.3	273	-	623		
	14	356	377.9	-	-	298.4	311.1	323.8	-	586		
	16	406	428.7	-	-	349.2	361.9	374.6	250.8	555		
	18	457	479.5	212.7	-	400	412.7	425.4	301.6	516		
	20	508	530.3	238.1	365.1	450.8	463.5	476.2	352.4	476		
	22	559	581.2	263.5	415.9	501.6	514.3	527	403.2	444		
	24	610	631.9	288.9	466.7	552.4	565.1	577.8	454	413		
	26	660	682.7	314.3	517.5	603.2	615.9	628.6	504.8	382		
28	711	733.5	339.7	568.3	654	666.7	679.4	555.6	355			

⚠ For horizontal installation, the target value of load rating is 25% (Reference Value).

⚠ Use M4 Recessed Truss Machine Screws (**P.2-233, 234**) or Recessed Binding Head Screws (**P.2-232**) to mount rails.

■ **Features:** The rails are trivalent chrome coated steel. Economically priced slide rails compliant with RoHS regulations.

■ **Steel, Three-Step**

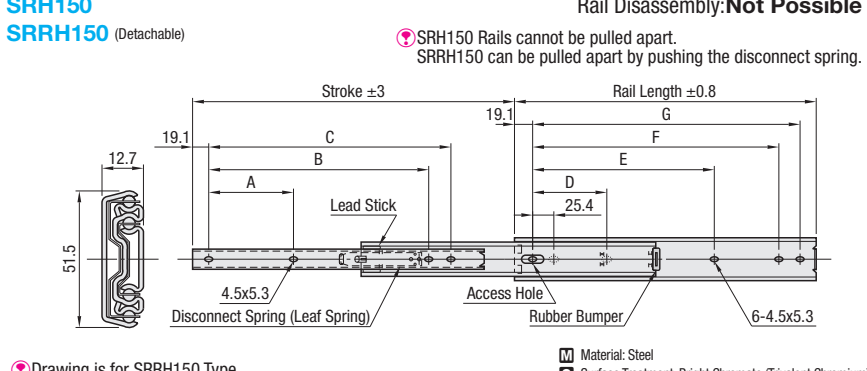


RoHS10

SRH150
SRRH150 (Detachable)

Rail Disassembly: Not Possible

⚠ SRH150 Rails cannot be pulled apart.
SRRH150 can be pulled apart by pushing the disconnect spring.



■ **Material: Steel**
S Surface Treatment: Bright Chromate (Trivalent Chromium)

⚠ Drawing is for SRRH150 Type.

Part Number	Rail Length	Stroke	SRH150		SRRH150		C	D	E	F	G	Load Rating (N/2 pcs.)	SRH		SRRH		
			A	B	A	B							Unit Price	Volume Discount Rate	Unit Price	Volume Discount Rate	
SRH150 SRRH150 (Detachable)	12	305	330.2	76.2	177.8	76.2	-	254	76.2	190.5	241.3	266.7	843	1 ~ 5 pc(s)	6 ~ 20 pcs	1 ~ 5 pc(s)	6 ~ 20 pcs
	14	356	381	101.6	203.2	127	-	304.8	88.9	215.9	292.1	317.5	814				
	16	406	431.8	127	228.6	152.4	317.5	355.6	127	241.3	342.9	368.3	765				
	18	457	482.6	127	279.4	177.8	368.3	406.4	127	292.1	393.7	419.1	726				
	20	508	533.4	152.4	304.8	152.4	419.1	457.2	152.4	317.5	444.5	469.9	706				
	22	559	584.2	177.8	330.2	177.8	469.9	508	177.8	342.9	495.3	520.7	686				
	24	610	635	177.8	381	177.8	520.7	558.8	177.8	393.7	546.1	571.5	657				
	26	660	685.8	203.2	406.4	203.2	571.5	609.6	203.2	419.1	596.9	622.3	628				
28	711	736.6	228.6	431.8	228.6	622.3	660.4	228.6	444.5	647.7	673.1	608					

⚠ For horizontal installation, the target value of load rating is 25% (Reference Value).

⚠ SRH150 Rails can not be pulled apart. SRRH150 can be pulled apart by pushing the disconnect spring. ⚠ Use M4 Recessed Truss Machine Screws (**P.2-233, 234**) or Recessed Binding Head Screws (**P.2-232**) to mount rails.



Ordering Example

Part Number
SRR3620
SRH15012
SRRH15028