


# Slide Rails Load Rating: 176N~260N/2 pcs.

## Light Load, Steel, Stainless Steel

**Features:** The rails are trivalent chrome coated steel. Economically priced slide rails compliant with RoHS regulations.

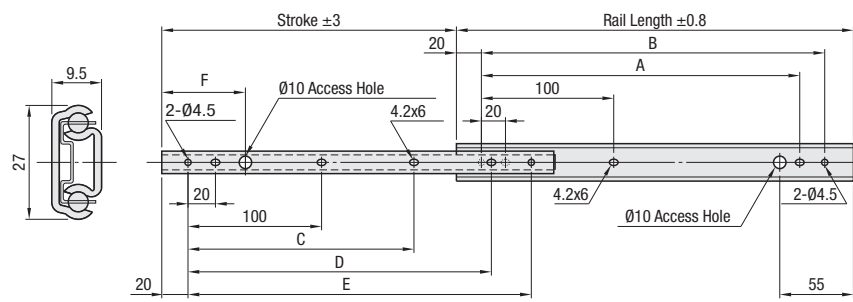
**Steel, Two-Step**



RoHS 10

SRY27

Rail Disassembly: **Not Possible**



M Material: Steel  
S Surface Treatment: Bright Chromate (Trivalent Chromium)


Part Number	Rail Length	Stroke	A	B	C	D	E	F	Load Rating (N/2 pcs.)	Unit Price			
										1 ~ 4 pc(s)	5 ~ 9 pcs	10 ~ 20 pcs	
Type	No.												
SRY27	20	200	135	140	160	-	140	160	62.5	260			
	25	250	185	190	210	150	190	210	62.5	240			
	30	300	222	240	260	190	240	260	62.5	230			
	35	350	260	290	310	225	290	310	62.5	210			
	40	400	297	340	360	265	340	360	62.5	200			
	50	500	371	440	460	337	440	460	142.5	170			

For horizontal installation, the target value of load rating is 25% (Reference Value).

Use M4 Recessed Truss Machine Screws (P2-233, 234) or Recessed Binding Head Screws (P2-232) to mount rails.

**Features:** The rails are made of SUS304, which has excellent corrosion resistance. Lockable slide rails in full open state. See App. Example P630.

**Stainless Steel, Two-Step**

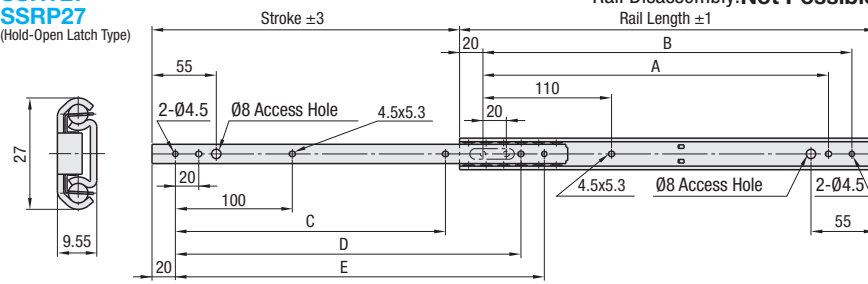


RoHS 10

SSRY27  
SSRP27

(Hold-Open Latch Type)

Rail Disassembly: **Not Possible**



■ Hold-Open Latch Type

- SSRY27 does not have a position-locking function.
- Lock is released by applying force of 0.5kg or more (reference value) in store direction.
- When the rail is fully pulled out, the tab fits in the leaf spring to lock rails tentatively in the retracting direction. Convenient when operating with the drawer open.
- To use slide rails in vertical or inclined arrangements, use additional external structures to prevent rails from falling.

M Material: Rail: SUS304  
B Ball: SUS440C

Part Number	Rail Length	Stroke	A	B	C	D	E	Load Rating (N/2 pcs.)	SSRY27		SSRP27		
									Unit Price	Volume Discount Rate	Unit Price	Volume Discount Rate	
Type	No.								1 ~ 5 pc(s)	6 ~ 20 pcs	1 ~ 5 pc(s)	6 ~ 20 pcs	
SSRY27 SSRP27	08	203.2	136.1	143.2	163.2	-	143.2	163.2	255				
	10	254	186.9	194	214.0	154	194	214	235				
	12	304.8	225.0	244.8	264.8	194.8	244.8	264.8	235				
	14	355.6	263.1	295.6	315.6	230.6	295.6	315.6	225				
	16	406.4	301.2	346.4	366.4	271.4	346.4	366.4	206				
	18	457.2	339.3	397.2	417.2	307.2	397.2	417.2	196				
	20	508	377.4	448	468.0	345	448	468	176				

For horizontal installation, the target value of load rating is 25% (Reference Value).

The rails can not be pulled apart. Use M4 Cross Recessed Pan Head Screws (P2-226) to mount rails.



Ordering Example

Part Number

SSRY2718

SRY2720