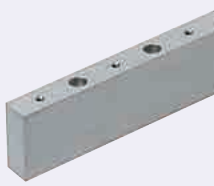


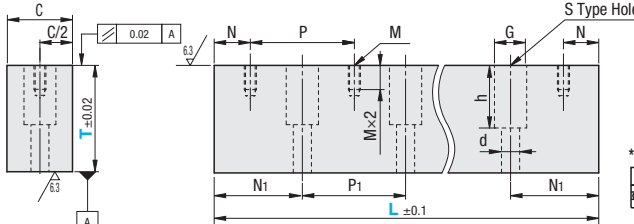
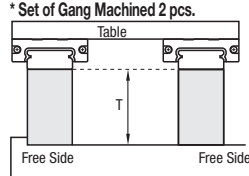
Height Adjusting Blocks for Linear Guides

Economy Type

■ Up to 50% more economical without width tolerance of the High Precision Type (P. 610). Height accuracy and parallelism after installation are the same as those of High Precision Type.



Type		Material	Surface Treatment
1 pc.	Set of Gang Machined 2 pcs*		
LGBE	LG2BE	Steel for General Structure	Electroless Nickel Plating
ALGBE	ALG2BE	Aluminum Alloy	Clear Anodize

RoHS 10

Example
Linear Guide
Height Adjusting Blocks for Linear Guides

* Set of Gang Machined 2 pcs.

⚠ Set of gang machined 2 pcs. are simultaneously milled with less than 0.01mm or less differences of T dimension. Height accuracy after screw connecting the base plate is guaranteed.

⚠ Bending might occur due to the product characteristics. Fix the block by using all the mounting holes.

Part Number		L Dimension Selection	T 1mm Increment	C	N	P	N ₁	P ₁	Tapped Hole M	S Through + Counterbored Hole			
Type	(Linear Guide H Dimension) No.									d	G	h	
(1 pc.) LGBE ALGBE (Set of Gang Machined 2 pcs.) LG2BE ALG2BE	24	160 220 280 340 400 460 520	10~60	16					M3	5.5	9.5	6 (T≤20)	T-14 (T>20)
	28	220 280 340 400 460 520	15~60	22	20	60	50	60	M5	6.5	11	7 (T≤25)	T-18 (T>25)
	33	220 280 340 400 460 520	20~60	25					M6	9	14	9 (T≤30)	T-21 (T>30)

⚠ When T=15 or less, the pilot holes M3 and M5 for tapping go through.
 ⚠ When T=20, the pilot holes M6 for tapping go through.

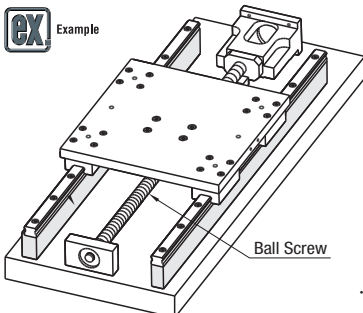
Ordering Example	Part Number	L	T
	LGBE24	400	30
	ALG2BE28	520	32

Price List

Type	No.	L	Unit Price			
			LGBE		ALGBE	
			T30 or Less	T31 or 60	T30 or Less	T31 or 60
(1 pc.) LGBE ALGBE	24	160				
		220				
		280				
		340				
		400				
		460				
		520				
(Set of Gang Machined 2 pcs.) LG2BE (LGBE+LGBE) ALG2BE (ALGBE+ALGBE)	28	220				
		280				
		340				
		400				
		460				
		520				
		520				
	33	220				
		280				
		340				
		400				
		460				
		520				
		520				

Number of Holes

No.	L	M Number of Holes	S Number of Holes
24	160	3	2
	220	4	3
	280	5	4
	340	6	5
	400	7	6
	460	8	7
	520	9	8
28	220	4	3
	280	5	4
	340	6	5
	400	7	6
	460	8	7
	520	9	8
	520	9	8
33	220	4	3
	280	5	4
	340	6	5
	400	7	6
	460	8	7
	520	9	8
	520	9	8



•For raising the linear guide height to mount ball screws etc.