

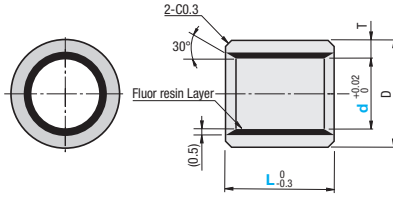
Oil Free Bushings / Oil Free Bushing Housing Units - Standard Flanged

High Precision Built-In Multi-Layer LF Bushings

Features: More precise linear and rotary motion compared to Multi-Layer LF Bushings - Straight (MDZB) can be achieved by keeping the clearance between bushings and g6 shafts small.



BFLB



⦿ BFLB is specifically effective if the mating material is soft such as stainless steel, aluminum, brass, etc. (Soft mating material is hardly damaged.)
 ⦿ Excels in relative wear amount: $1.6 \times 10^{-7} \text{mm}^3/\text{N} \cdot \text{m}$ and abrasion resistance. (It varies depending on condition of use.)

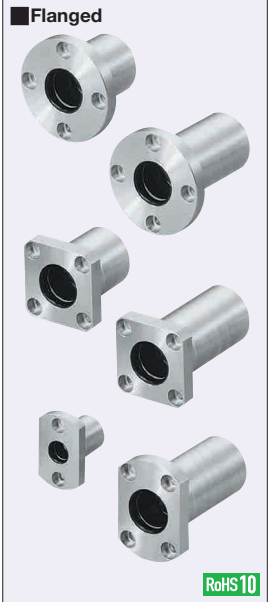
M Material: Base Material: A2017
 Sliding Material: Fluororesin
 * Base and sliding materials are bonded.
 Allowable Temperature: -50~140°C

⦿ Applicable to linear and rotary motion.
 ⦿ Loctite (thread locking adhesive) is recommended to affix bushings.

Part Number Type	d	L										D	Tolerance	T	Unit Price		
		4	5	6	8	10	12	15	20	25	19				L5-8	L10-15	L20-25
BFLB	4	5	6									7	0 -0.015	1.5	-	-	-
	5	6	8								8	-			-	-	
	6	8	10	12							9	-			-	-	
	8	10	12	15	20						11	-			-	-	
	10	12	15	20	25						13	-			-	-	
	12	15	20	25							15	-			-	-	
	16	20	25								19	-			-	-	

Ordering Example: Part Number **BFLB10** - L **10**

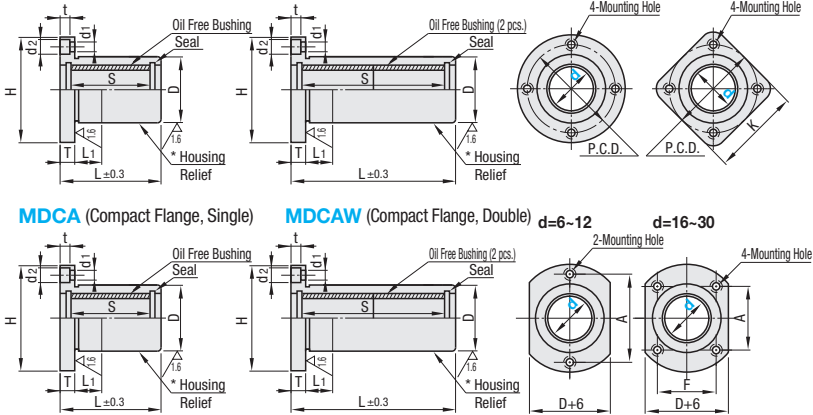
Features: Suitable for vertical use. Reduces the time of manufacturing and assembling the housing.



MDRA (Round Flange, Single)
MDSA (Square Flange, Single)

MDRAW (Round Flange, Double)
MDSAW (Square Flange, Double)

6.3/1.5/1



Bushing: MDZB (P398)

Seals: NBR (O-Ring)

* Housing Relief
 When $D \leq 28$, $D - 0.1$
 When $D \geq 32$, $D - 0.3$
 When $D \geq 32$, $D - 0.5$

⦿ Perpendicularity of flange bottom plane to surface D is 0.02 or less.

⦿ Effective length of D Tolerance below is L1.

⦿ 2 Oil Free Bushings are included in Single Type d25, d30.

M Material: Aluminum Alloy (Housing)

S Surface Treatment: Clear Anodize

Part Number Type	d	Tolerance	D	L		L1	S		H	T	d1	d2	t	P.C.D.	K	F	A	Unit Price				
				Single	Double		Single	Double										MDRA	MDRAW	MDSA	MDSAW	MDCA
MDRA MDRAW (Round Flange)	6	+0.065	12	0	19	32	5	13	26	28	5	3.5	6	3.1	20	22	20					
	8	0	15	-0.013	24	38		18	32	32								24	25	24		
	10	19	0	29	50	21		42	40	29								30	29			
MDSA MDSAW (Square Flange)	12	+0.068	19	0	30	51	10	21.6	42.6	42	6	4.5	7.5	4.1	32	32	32					
	16	0	28	-0.016	37	63		26.6	52.6	48								38	37	22	31	
	20	+0.081	32	0	42	73		31.6	62.6	54								43	42	24	36	
MDCA MDCAW (Compact Flange)	25	0	40	0	59	103	10	48.6	92.6	62	8	5.5	9	5.1	51	50	32	40				
	30	+0.085	45	-0.019	64	115		51.6	102.6	74									10	6.6	11	6.1

⦿ Flanged Height-Adjusting Spacers are selectable from **P330**.

Ordering Example: Part Number **MDRA10**

EX Example

