


Oil Free Bushings / Oil Free Bushing Housing Units - Blocks

Casting Built-in Cast Bushings

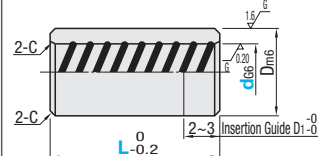
Features: Optimal for use in medium load and low speed applications.

Straight / Flanged

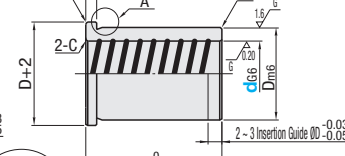


RoHS10

SMZ (Straight)

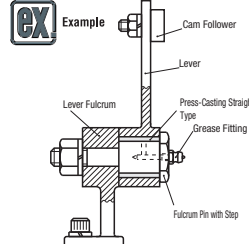


SMZF (Flanged)



Material: FC250
Special Solid Lubricant

EX Example




Recommended Mating Shaft Tolerance: e7 or h7
 Recommended Housing I.D. Tolerance: +0.05 ~ +0.02
 Loctite (thread locking adhesive) is recommended to affix bushings.

Part Number		L	Dm6	C	SMZ		SMZF	
Type	d6s				Unit Price	Volume Discount Rate	Unit Price	Volume Discount Rate
Straight SMZ	6	*6	10	0.3	1 ~ 9 pc(s)	10 ~ 50 pcs.	1 ~ 9 pc(s)	10 ~ 20 pcs.
	8	8	12		1 ~ 9 pc(s)	10 ~ 50 pcs.	1 ~ 9 pc(s)	10 ~ 20 pcs.
	10	10	12		1 ~ 9 pc(s)	10 ~ 50 pcs.	1 ~ 9 pc(s)	10 ~ 20 pcs.
	12	12	15		1 ~ 9 pc(s)	10 ~ 50 pcs.	1 ~ 9 pc(s)	10 ~ 20 pcs.
	15	15	20		1 ~ 9 pc(s)	10 ~ 50 pcs.	1 ~ 9 pc(s)	10 ~ 20 pcs.
	16	16	25		1 ~ 9 pc(s)	10 ~ 50 pcs.	1 ~ 9 pc(s)	10 ~ 20 pcs.
	20	20	30		1 ~ 9 pc(s)	10 ~ 50 pcs.	1 ~ 9 pc(s)	10 ~ 20 pcs.
Flanged SMZF	25	25	28	0.5	1 ~ 9 pc(s)	10 ~ 50 pcs.	1 ~ 9 pc(s)	10 ~ 20 pcs.
	30	30	32	0.5	1 ~ 9 pc(s)	10 ~ 50 pcs.	1 ~ 9 pc(s)	10 ~ 20 pcs.
	40	40	38	0.5	1 ~ 9 pc(s)	10 ~ 50 pcs.	1 ~ 9 pc(s)	10 ~ 20 pcs.
	50	50	38	0.5	1 ~ 9 pc(s)	10 ~ 50 pcs.	1 ~ 9 pc(s)	10 ~ 20 pcs.

* marked L dimension is available for SMZ only. For orders larger than indicated quantity, please request a quotation.

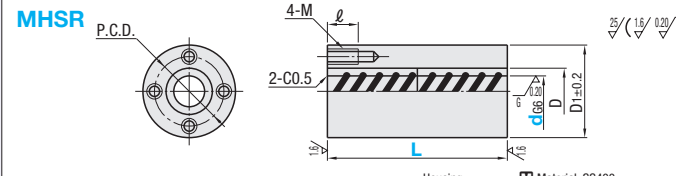
Features: Reduces the time of manufacturing and assembling the housing.

Housing Units



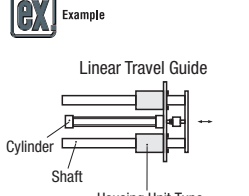
RoHS10

MHSR



Material: SS400
Surface Treatment: Chrome Plating
SMZ

EX Example



Recommended Mating Shaft Tolerance: e7 or h7

Type	d	L (1 Bushing) / L (2 Bushings)		D	D1	Mxℓ	P.C.D.	Mass (g)		Short		Long	
		Short	Long					Short	Long	Unit Price	Volume Discount Rate	Unit Price	Volume Discount Rate
MHSR	8	15	30	12	30	4x8	21	77	154	1 ~ 9 pc(s)	10 ~ 20 pcs.	1 ~ 9 pc(s)	10 ~ 20 pcs.
	10	20	40	16	34		25	130	260	1 ~ 9 pc(s)	10 ~ 20 pcs.	1 ~ 9 pc(s)	10 ~ 20 pcs.
	12	25	40	18	36		27	177	284	1 ~ 9 pc(s)	10 ~ 20 pcs.	1 ~ 9 pc(s)	10 ~ 20 pcs.
	15	30	50	22	42	5x10	32	284	474	1 ~ 9 pc(s)	10 ~ 20 pcs.	1 ~ 9 pc(s)	10 ~ 20 pcs.
	20	40	60	28	48		38	469	939	1 ~ 9 pc(s)	10 ~ 20 pcs.	1 ~ 9 pc(s)	10 ~ 20 pcs.
	25	50	80	32	52		42	641	1025	1 ~ 9 pc(s)	10 ~ 20 pcs.	1 ~ 9 pc(s)	10 ~ 20 pcs.
	30	60	100	38	60	6x12	49	999	1665	1 ~ 9 pc(s)	10 ~ 20 pcs.	1 ~ 9 pc(s)	10 ~ 20 pcs.

For orders larger than indicated quantity, please request a quotation.

Ordering Example


Part Number - L

SMZ12 - 20

MHSR15 - 50

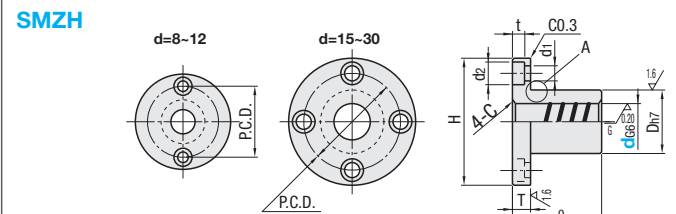
Features: Flange Integrated Oil Free Bushings can reduce the time of assembling.

Flanged



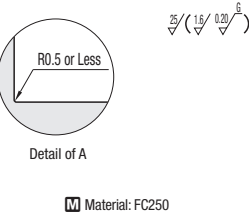
RoHS10

SMZH



Material: FC250
Special Solid Lubricant

EX Example



Recommended Mating Shaft Tolerance: e7 or h7

Type	Part Number		Dh7	Tolerance	L	H	T	d1	d2	t	P.C.D.	Mass (g)	Unit Price	Volume Discount Rate
	d6s	Tolerance												
SMZH	8	+0.014	15	0 -0.013	20	32	5	3.5	6	3.1	24	45	1 ~ 9 pc(s)	10 ~ 20 pcs.
	10	+0.005	19	0 -0.016	25	40	6	4.5	7.5	4.1	29	85	1 ~ 9 pc(s)	10 ~ 20 pcs.
	12	+0.017	21	0 -0.016	30	42	6	4.5	7.5	4.1	32	103	1 ~ 9 pc(s)	10 ~ 20 pcs.
	15	+0.006	28	0 -0.019	40	48	8	5.5	9	5.1	38	180	1 ~ 9 pc(s)	10 ~ 20 pcs.
	20	+0.020	32	0 -0.019	50	54	8	5.5	9	5.1	43	280	1 ~ 9 pc(s)	10 ~ 20 pcs.
	25	+0.007	40	0 -0.019	60	62	10	6.6	11	6.1	51	270	1 ~ 9 pc(s)	10 ~ 20 pcs.
	30	+0.007	45	0 -0.019	70	74	10	6.6	11	6.1	60	670	1 ~ 9 pc(s)	10 ~ 20 pcs.

For orders larger than indicated quantity, please request a quotation.

Ordering Example

Part Number

SMZH10