

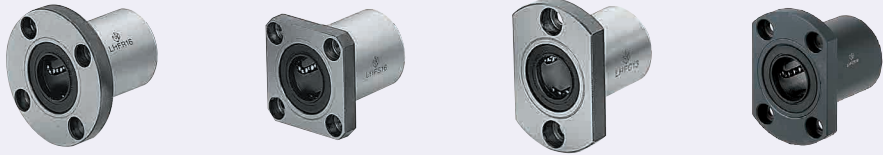
Flanged Linear Bushings

Single, Opposite Counterbored Hole

= For customers using industry standard products =
 The part enclosed in the red frame is as per industry standard specifications (Outer cylinder SUJ2 equivalent, Retainer resin).
 Consider these specifications while selecting the product.

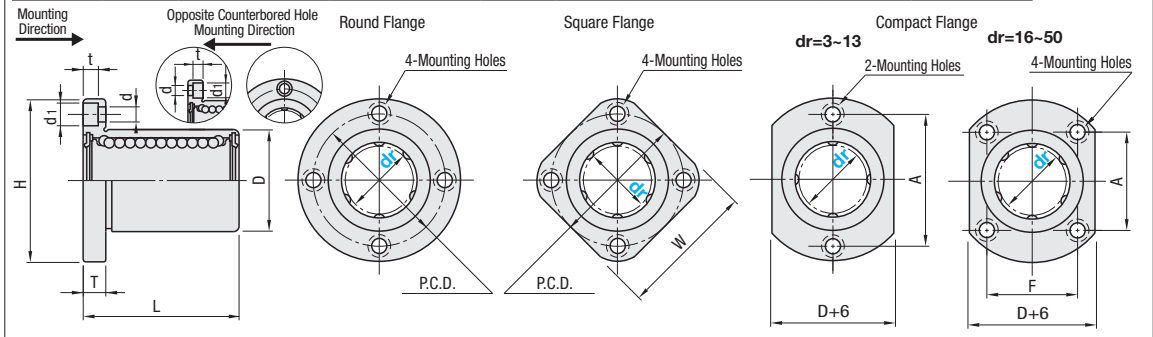
Features: Easy to assemble with bolt-on flanges.

Industry Standard



RoHS10

Counterbored Holes	Type			Outer Cylinder			Balls	Retainer	Ambient Operating Temp.	Accessory			
	Round Flange	Square Flange	Compact Flange	Material	Hardness	Surface Treatment	Material	Material					
Opposite Counterbored	LHZR	LHZS	LHZC	SUJ2 Equivalent	58HRC~	-	SUJ2 Equivalent	Plastic (Duracon M90 Equivalent)	-20~ 80°C	Seal Material Nitrile Rubber (-20~120°C)			
	LHFR-N	LHFS-N	LHFC-N					Stainless Steel (SUS)			-20~110°C		
No Seal	No Seal	No Seal	SUS440C Equivalent					56HRC~			Low Temperature Black Chrome Plating Electroless Nickel Plating	Plastic (Duracon M90 Equivalent)	-20~ 80°C
LHFR	LHFS	LHFC										Stainless Steel (SUS)	-20~110°C
LHFRF	LHFSF	LHFCF										Plastic (Duracon M90 Equivalent)	-20~ 80°C
LHFRR	LHFSR	LHFCR										Stainless Steel (SUS)	-20~110°C
LHFRM	LHFSM	LHFCM										Plastic (Duracon M90 Equivalent)	-20~ 80°C
LHFRMF	LHFSMF	LHFCMF										Stainless Steel (SUS)	-20~120°C
SLHFR	SLHFS	SLHFC											
SLHFRS	SLHFS	SLHFC											



dr	Tolerance	D Tolerance		L Tolerance	H	T	d	d1	t	P.C.D.	W	F	A	Eccentricity	Rows of Balls	Perpendicularity	Basic Load Rating			Mass (g)		
		No Surface Treatment	Surface Treatment														Dynamic	Static	Round Flange	Square Flange	Compact Flange	
3	0	7	0	10	19	3.5	2.5	4.5	2.1	13	15	-	13	0.008	4	0.008	69	105	7	5.1	6	
4	-0.008	8	-0.011	12	20					14	16	-	14				88	127	8	6.2	7	
5		10		15	25					17	20	-	17				167	206	17	13	14	
6		12	0	19	28	5	3.5	6	3.1	20	22	-	20				206	265	24	18	21	
8		15	-0.013	-0.018	32					24	25	-	24				265	380	37	29	33	
10	0	19			40					29	30	-	29				372	549	72	52	64	
12	-0.009	21	0	0	42					32	32	-	32				412	598	76	57	68	
13		23	-0.016	-0.021	43	6	4.5	7.5	4.1	33	34	-	33				510	784	88	72	81	
16		28			48					38	37	22	31				775	1180	120	104	112	
20	0	32	0	0	54	8	5.5	9	5.1	43	42	24	36				882	1370	180	145	167	
25	-0.010	40	-0.019	-0.025	62					51	50	32	40				980	1570	340	300	325	
30		45			74	10	6.6	11	6.1	60	58	35	49				1570	2740	470	375	388	
35		52	0	0	82					67	64	38	55				1670	3140	650	560	575	
40	0	60	0	0	96	13	9	14	8.1	78	75	45	64				2160	4020	1060	880	913	
50	-0.012	80	-0.022	-0.030	116					98	92	56	80				3820	7940	2200	2000	2037	

For Precautions for Use, see P303. Select Height-adjusting Spacers for Flanged Bushings from P330.
 No seal for dr=3 and 4, LHFR-N, LHFS-N and LHFC-N. Reversed counterbored type can be bolted from the reverse side.

kgf=Nx0.101972

dr	Unit Price																											
	Round Flange						Square Flange						Compact Flange															
	LHZR	LHFR-N	LHFR	LHFRF	LHFRR	LHFRM	LHFRMF	SLHFR	SLHFRS	LHZS	LHFS-N	LHFS	LHFSF	LHFSR	LHFSM	LHFSMF	SLHFS	SLHFS	LHZC	LHFC-N	LHFC	LHFCF	LHFCR	LHFCM	LHFCMF	SLHFC	SLHFC	
3	-	-	-	-	-	-	-	-	-	-	-	-	-	-	-	-	-	-	-	-	-	-	-	-	-	-	-	-
4	-	-	-	-	-	-	-	-	-	-	-	-	-	-	-	-	-	-	-	-	-	-	-	-	-	-	-	-
5	-	-	-	-	-	-	-	-	-	-	-	-	-	-	-	-	-	-	-	-	-	-	-	-	-	-	-	-
6	-	-	-	-	-	-	-	-	-	-	-	-	-	-	-	-	-	-	-	-	-	-	-	-	-	-	-	-
8	-	-	-	-	-	-	-	-	-	-	-	-	-	-	-	-	-	-	-	-	-	-	-	-	-	-	-	-
10	-	-	-	-	-	-	-	-	-	-	-	-	-	-	-	-	-	-	-	-	-	-	-	-	-	-	-	-
12	-	-	-	-	-	-	-	-	-	-	-	-	-	-	-	-	-	-	-	-	-	-	-	-	-	-	-	-
13	-	-	-	-	-	-	-	-	-	-	-	-	-	-	-	-	-	-	-	-	-	-	-	-	-	-	-	-
16	-	-	-	-	-	-	-	-	-	-	-	-	-	-	-	-	-	-	-	-	-	-	-	-	-	-	-	-
20	-	-	-	-	-	-	-	-	-	-	-	-	-	-	-	-	-	-	-	-	-	-	-	-	-	-	-	-
25	-	-	-	-	-	-	-	-	-	-	-	-	-	-	-	-	-	-	-	-	-	-	-	-	-	-	-	-
30	-	-	-	-	-	-	-	-	-	-	-	-	-	-	-	-	-	-	-	-	-	-	-	-	-	-	-	-
35	-	-	-	-	-	-	-	-	-	-	-	-	-	-	-	-	-	-	-	-	-	-	-	-	-	-	-	-
40	-	-	-	-	-	-	-	-	-	-	-	-	-	-	-	-	-	-	-	-	-	-	-	-	-	-	-	-
50	-	-	-	-	-	-	-	-	-	-	-	-	-	-	-	-	-	-	-	-	-	-	-	-	-	-	-	-



Part Number

LHFC8 (No Seal)
 LHFC-N10 (Low Temperature Black Chrome Plating)
 LHFCR8 (L Type Greased)
 LHFCR10L

For Features of Low Temperature Black Chrome Plating, see P304. Alternative grease types available. Alternative grease types available.
 For Days to Ship, Price and Performance, see P304.