


Shaft Collar Hinged / One-Touch

Hinged / One-Touch Standard / One-Touch Mount Hole

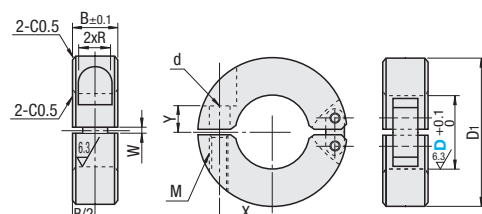
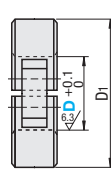
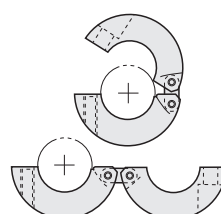
Features: Compared with conventional shaft collars, hinged structure enables easy fitting and removal in limited work space. Washer fitted onto hex socket head cap screw reduces the chances of the screw falling out when the collar is removed from the shaft.

Hinged



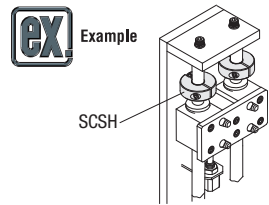
Type	Main Body	Hinge	Spring Pins	Hex Socket Head Cap Screw 1 pc.	Washer
	Material Surface Treatment	Material	Material Hardness	Material	Material
SCSH	S45C Equivalent Black Oxide Coating			SCM435	Nylon
PSCSH	S45C Equivalent Electroless Nickel Plating	SUS304	SUS420J2	SUS304	Washer
SSCSH	SUS304			Equivalent	(1 pc.)

Hinge Spring Pins Material: Spring Stainless Steel SPSR(P2-264) $\sqrt{25}/(\sqrt{6.3})$

RoHS10

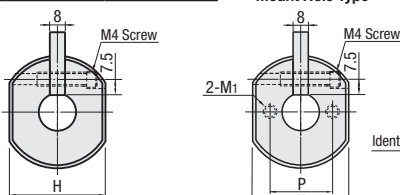
Part Number Type	D	B	D1	M (Coarse)	d	R	W	X	Y	Hex Socket Head Cap Screw M x Length	Unit Price		
											SCSH	PSCSH	SSCSH
SCSH PSCSH SSCSH	10	10	30	M4	5	3.75	1.5	9	5	M4x8			
	12							10					
	15							12	6	M5x10			
	16	12	35	M5	6	4.5		14	7	M5x12			
	20		40					18	10	M6x16			
	25	15	50	M6	7	6		20					
30		55											



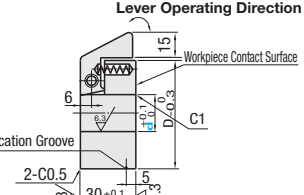
Type	Material	Surface Treatment	Accessory
			Hex Socket Head Cap Screw 1 pc.
WSC	2000series Aluminum Alloy	Clear Anodize	SUS304 Equivalent
WSCM		Black Anodize	
WSCB			

* Lever: Material S45C / Surface Treatment 45HRC-TufftrideR
Spring: Material SWP-A
⚠ Tapped holes are not anodized.

Mount Hole Type



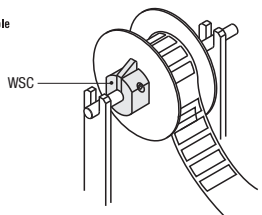
Lever Operating Direction



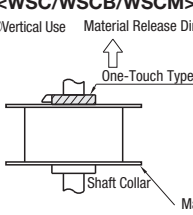
Part Number Type	d	D	H	P	M1x Depth	Unit Price		
						WSC	WSCB	WSCM
(Standard) WSC WSCB	10	50	40	25	M4x8			
	12	52	42	27				
	15	55	45	30				
	16	56	46	31				
	20	60	50	35				
(Mount Hole) WSCM	22	62	52	37	M5x10			
	25	65	55	40				
	25.4	65.4	55.4	40.4				
	30	70	60	45		M6x12		

- Features**
- The lever pressed by the spring gives consistent pressure on the shaft.
 - Shaft collar can be easily removed by moving the lever down with a finger.
 - Shafts do not require any flat alterations to secure the collar as in the case with Set Screws and can be clamped without damage.
 - Working time can be reduced for frequent collar mounting and/or removal.
 - Suitable for use in holding spools of material such as paper, film, metal foil, etc., and for uses in applications where there is no load on the collars.

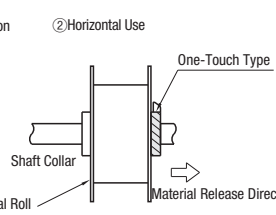
EX Example



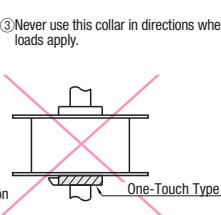
① Vertical Use Material Release Direction



② Horizontal Use



③ Never use this collar in directions where loads apply.



Ordering Example
Part Number
SCSH10
WSCB16