


Shaft Collar Split

2-Hole / 2-Tapped (Coarse)

■ **Features:** Post assembly collar installation makes maintenance easier compared to Set Screw Type (P.279) and Clamp Type (P.281).

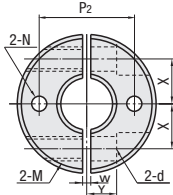
■ **2-Hole**
■ **2-Tapped (Coarse)**
Type



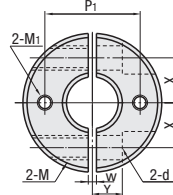
RoHS10

| Type | | M | S | A |
|--------|----------|-------------------|----------------------------|----------------------------------|
| 2-Hole | 2-Tapped | Material | Surface Treatment | Accessory |
| SCSPK | SCSPT | S45C | Black Oxide Coating | Hex Socket Head Cap Screw 2 pcs. |
| PSCSPK | PSCSPT | Equivalent | Electroless Nickel Plating | ■ SCM435 Equivalent |
| SSCSPK | SSCSPT | SUS304 Equivalent | - | ■ SUS304 Equivalent |

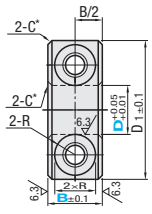
2-Hole



2-Tapped (Coarse)



$25 / (6.3 /)$



| Part Number | B Selection | D1 | M (Coarse) | d | R | W | X | Y | N Through Hole | P2 | 2-Hole Unit Price | | | M1 (Coarse) | P1 | 2-Tapped Unit Price | | | | | | |
|---------------------------------------|-------------|----|------------|-----|------|-----|------|------|----------------|------|-------------------|--------|--------|-------------|----|---------------------|--------|--------|----|--|--|--|
| | | | | | | | | | | | SCSPK | PSCSPK | SSCSPK | | | SCSPT | PSCSPT | SSCSPT | | | | |
| | | | | | | | | | | | Type | D | | | | | | | | | | |
| (2-Hole) SCSPK PSCSPK SSCSPK | 8 | 20 | M3 | 3.4 | 3 | 1.5 | 6 | 4 | 3.5 | 13 | | | | M4 | | | | | | | | |
| | 10 | | M4 | 4.5 | 3.75 | | | | | | | | | | | | | | | | | |
| | 8 | 8 | 25 | M3 | 3.4 | | 3 | | | 8 | | 4.5 | 16.5 | | | | | | | | | |
| | | 15 | | M6 | 6.6 | | 6 | | | | | | | | 19 | | | | | | | |
| | 10 | 8 | 30 | M3 | 3.4 | | 3 | | | 9 | 5 | | 20 | | | | | | 20 | | | |
| | | 10 | | | M4 | | 4.5 | 3.75 | | | | | | | | | | | | | | |
| | | 12 | | | M5 | | 5.5 | 4.5 | | | | | | | | | | | | | | |
| | 12 | 15 | 35 | M6 | 6.6 | | 6 | | | 6 | | | 22.5 | | | | | | | | | |
| | | 8 | 30 | M3 | 3.4 | | 3 | | | 10 | | | | | | | | | | | | |
| | | 10 | | | M4 | | 4.5 | 3.75 | | | | | | | | | | | | | | |
| | | 12 | | | M5 | | 5.5 | 4.5 | | | | | | | | | | | | | | |
| | 13 | 15 | 35 | M6 | 6.6 | | 6 | | | 11 | 6 | | 23.5 | | | | | | | | | |
| | | 10 | 30 | M4 | 4.5 | | 3.75 | | | 10 | | | 21.5 | | | | | | | | | |
| | 15 | 12 | | | M5 | | 5.5 | 4.5 | | | 5 | | 23.5 | | | | | | | | | |
| | | | 15 | | M6 | | 6.6 | 6 | | | 11 | | 24 | | | | | | | | | |
| | 15 | 10 | 34 | M4 | 4.5 | | 3.75 | | | 11.5 | 6 | 5.5 | 24.5 | | | | | | | | | |
| | | 12 | | M5 | 5.5 | | 4.5 | | | 12 | | | | | 25 | | | | | | | |
| | 16 | 15 | 40 | M6 | 6.6 | | 6 | | | 13 | 8 | | 27.5 | | | | | | | | | |
| | | 10 | 35 | M5 | 5.5 | | 4.5 | | | 12 | 6 | | 25.5 | | | | | | | | | |
| | | 12 | | | M6 | | 6.6 | 6 | | | 13 | 8 | | | 28 | | | | | | | |
| 18 | | | M5 | 5.5 | 4.5 | | 14 | 7 | | 29 | | | | | | | | | | | | |
| 20 | 15 | 45 | M6 | 6.6 | 6 | | 15 | 8 | | 31.5 | | | | | | | | | | | | |
| | 10 | 40 | M5 | 5.5 | 4.5 | | 14 | 7 | | 30 | | | | | | | | | | | | |
| | 12 | | | M6 | 6.6 | 6 | | 15 | 8 | | 32.5 | | | | | | | | | | | |
| | 15 | | M5 | 5.5 | 4.5 | | 17 | 7 | | 35 | | | | | | | | | | | | |
| 25 | 15 | 50 | | | | | 18 | | 6.6 | 37.5 | | | | | | | | | | | | |
| | 20 | | M6 | 6.6 | 6 | | 20 | 10 | | | 40 | | | | | | | | | | | |
| 30 | 15 | 60 | M8 | 9 | 7 | | 23 | | | 42.5 | | | | | | | | | | | | |
| | 20 | | | M6 | 6.6 | 6 | | 12 | | 47.5 | | | | | | | | | | | | |
| 40 | 18 | 70 | M8 | 9 | 7 | | 26 | 13 | | 55 | | | | | | | | | | | | |
| | 22 | 85 | M10 | 11 | 9 | 3 | 32 | 16 | | 67.5 | | | | | | | | | | | | |

⚠ The halves must remain in the same orientation as shipped when in use.

Ordering Example

Part Number - B
SCSPK10 - 10

Example

