


Shaft Supports Flanged Mount

Back Mount / Split

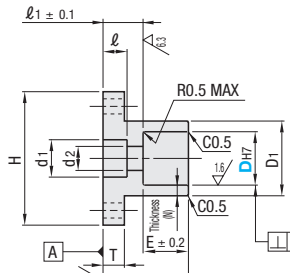
■ **Features:** Shafts can be fastened securely using tapped holes on shaft ends.

■ **Back Mount**

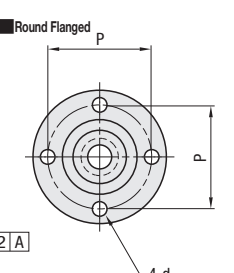


RoHS 10

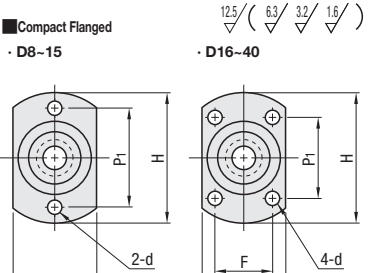
Round Flanged	Compact Flanged	Material	Surface Treatment
STHXR	STHXC	S45C Equivalent	Black Oxide
SSTHR	SSTHC	SUS304	Electroless Nickel Plating



■ **Round Flanged**



■ **Compact Flanged**
· D8-15




· D16-40

Part Number		Sleeve Thickness (N)	L	D1	H	T	l	l1	E	P	W	P1	F	d	d1	d2	Mounting Screw	Unit Price			
Type	DH7																	Round Flanged	STHXR	SSTHR	Compact Flanged
Round Flanged STHXR SSTHR	8	+0.015	16	12	28	5	4.5	8	8	20	16	20	-	3.5	8	4.5	M4				
	10	0	20	14	30	5	5.5	10	10	22	18	22	-	4.5	9.5	5.5	M5				
	12	+0.018	24	16	36	6	6.5	11	13	26	20	26	-	5.5	11	6.6	M6				
	15	0	30	20	40	6	9	15	15	30	24	30	-	6.6	14	9	M8				
	16	+0.021	38	28	50	8	11	18	20	39	32	31	22	6.6	18	11	M10				
	20	0	46	33	55	8	13	21	25	44	37	36	24	6.6	20	13	M12				
	25	+0.025	58	38	66	10	17	28	30	52	42	41	27	6.6	26	17	M16				
	30	0	70	54	88	10	17	30	40	72	62	62	38	9	26	17	M16				
	40	0	70	54	88	10	17	30	40	72	62	62	38	9	26	17	M16				

Ordering Example: **Part Number** **STHXR10**

■ **Features:** Removable split sleeve makes maintenance easy.

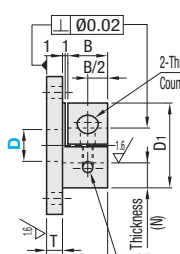
■ **Split**



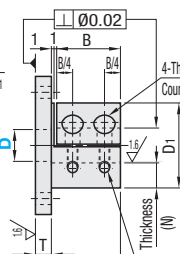
RoHS 10

Round Flanged	Compact Flanged	Material	Surface Treatment	Accessory
STHPR	STHPC	General Structural Steel	Black Oxide	Hex Socket Head Cap Screw 2 pcs.
SSTHR	SSTHC	SUS304	Electroless Nickel Plating	Hex Socket Head Cap Screw 2 pcs. (SUS)

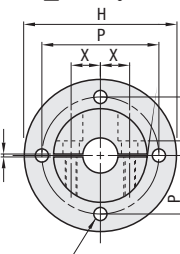
⊕ D dimensions 16 ~ 30 come with 4 screws.



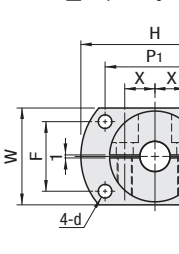
· D8-12



· D16-30



■ **Round Flanged**



■ **Compact Flanged**

Part Number		Sleeve Thickness (N)	L	D1	H	T	B	P	W	P1	F	d	X	Y	d1	d2	M (Course)	Included Screws M x Length	Unit Price				
Type	D																		Round Flanged	STHPR	SSTHR	Compact Flanged	STHPC
Round Flanged STHPR SSTHR	8	+0.015	8.5	19	25	39	5	12	32	27	25	20	3.5	7.5	3.5	7.5	4.6	M4	M4x10				
	10	0	10	21	30	49	5	14	40	32	33	23	4.5	10	3	10	4	M5	M5x10				
	12	+0.018	12	23	32	52	6	15	42	34	35	25	5.5	11	4	11	4	M5	M5x12				
	16	0	9.5	32	35	56	6	24	46	37	37	27	5.5	12	5	9	5.6	M5	M5x16				
	20	+0.021	10	34	40	64	8	24	52	42	43	30	6.6	14	6	10	6.6	M6	M6x20				
	25	0	12.5	42	55	79	10	30	67	57	50	45	6.6	20	10	12	6.6	M6	M6x20				

Ordering Example: **Part Number** **STHPR10**