
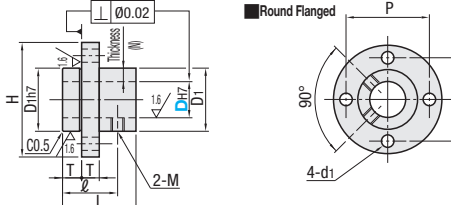


■ **Features:** Easy positioning during assembly.

■ **With Pilot**



RoHS10



■ **Round Flanged**

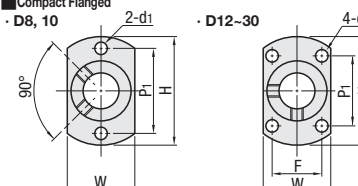
Round Flanged	Compact Flanged	M Material	S Surface Treatment
STHRBN	STHICBN	General Structural Steel	Black Oxide
STHIRN	STHICN		Electroless Nickel Plating

⚠ See Alterations section for inclusion of a Hex Socket Set Screw.

6.3 / (1.6)


■ **Compact Flanged**

· D8, 10 · D12-30

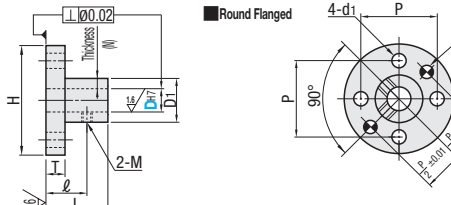


Part Number		Sleeve Thickness (N)	L	D1	H	T	l	M (Coarse)	P	W	P1	F	d1	Unit Price				
Type	DH7													Round Flanged	Compact Flanged	STHIRN	STHICN	STHRBN
Round Flanged STHRBN STHIRN	8 8M	+0.015 0	3.5	18	15	32	5	14	M3	25	15	25	-	3.5				
			5	20	20	38		15		M3	30	20			30			
	10 12	+0.018 0	5	24	22	40	6	18	M4	32	25	28	16	4.5				
				6	32	28		50		22	M4	40	32		33	22		
	16 20	+0.021 0	7.5	32	35	63	8	24	M5	50	40	42	25	5.5				
				40	68	27		M5		55	45	45	30					
	25 30	+0.021 0	7.5	38	45	73	10	29	M6	60	50	48	35	6.6				
				45	73	29		M6		60	50	48	35					

■ **With Dowel Holes**



RoHS10



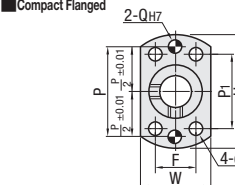
■ **Round Flanged**

Round Flanged	Compact Flanged	M Material	S Surface Treatment
STHRBNK	STHCBNK	General Structural Steel	Black Oxide
-	STHCNK		Electroless Nickel Plating

⚠ See Alterations section for inclusion of a Hex Socket Set Screw.

6.3 / (1.6)

■ **Compact Flanged**



Part Number		Sleeve Thickness (N)	L	D1	H	T	l	M (Coarse)	P	W	P1	F	d1	Q	Unit Price			
Type	DH7														Round Flanged	Compact Flanged	STHRBNK	STHCBNK
Round Flanged STHRBNK	12 16	+0.018 0	5	24	22	40	15	M4	32	25	28	16	4.5	4				
			6	32	28	50			6	19	40	32	33		22	5.5		
	20 25	+0.021 0	7.5	35	63	8	20	M5	50	40	42	25	6.6	6				
				40	68	23			M5	55	45	45			30			
	30	+0.021 0	7.5	38	45	73	10	24	M6	60	50	48	35	6.6	6			
				45	73	24				M6	60	50	48			35		

Ordering Example

Part Number

STHRBN10
STHRNL20
STHICBN8M

Alterations

Part Number - (MB)
STHRBN10 - MB
STHRBNL12 - MB

Alterations	Hex Socket Set Screw Included	
Code	MB	
Spec.	Hex socket set screws come with as a set. Screw head may protrude from outer cylinder (D1). ⚠ Included screws are SCM435 (Black Oxide) for Black Oxide and Black Anodized products. ⚠ Products other than above are SUS products. ⚠ Long Sleeve Type comes with 4 set screws; others come with 2 set screws.	
	D	M x Length
	8, 10	M3x3
	8M, 12, 13, 15, 16	M4x3
	20, 25	M5x4
	30, 35	M6x5
40, 50	M8x6	