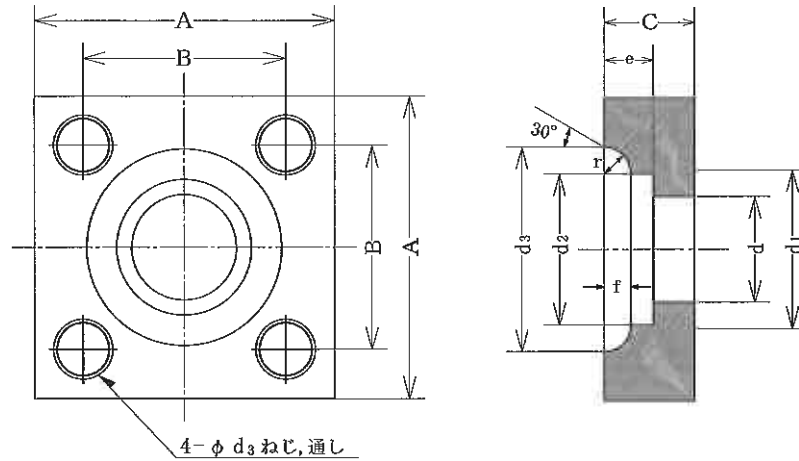




油圧用210kgf/cm²管フランジ
210 kgf/cm² SLIP-ON WELDING PIPE FLANGE FOR HYD.

SSB
(PIPE FLANGES)

JIS B2291



SSB

UNIT : mm

NOM. SIZE		A	B	C	d	d ₁	e	d ₂	f	r	THREAD d ₃
(A)	(B)										
15	1/2	54.0	36.0	22.0	16.0	22.2	11.0	32.0	3.5	5.0	M10
20	3/4	58.0	40.0	22.0	20.0	27.7	12.0	38.0	4.0	5.0	M10
25	1	68.0	48.0	28.0	25.0	34.5	14.0	45.0	4.0	5.0	M12
32	1-1/4	76.0	56.0	28.0	31.5	43.2	16.0	56.0	6.0	5.0	M12
40	1-1/2	92.0	65.0	36.0	37.5	49.1	18.0	63.0	7.0	5.0	M16
50	2	100.0	73.0	36.0	47.5	61.1	20.0	75.0	7.0	5.0	M16
65	2-1/2	128.0	92.0	45.0	60.0	77.1	22.0	95.0	9.5	6.0	M20
80	3	140.0	103.0	45.0	71.0	90.0	25.0	108.0	11.0	6.0	M20

特記 : 1. Oリングは JIS B2401
REMARKS : 1. O-RING IS JIS B2401
2. SSA+SSB+O-RING+BOLT=SSF

ヤマト特殊鋼株式会社
YAMATO SPECIAL STEEL CO., LTD.

Sheet No. JF-3