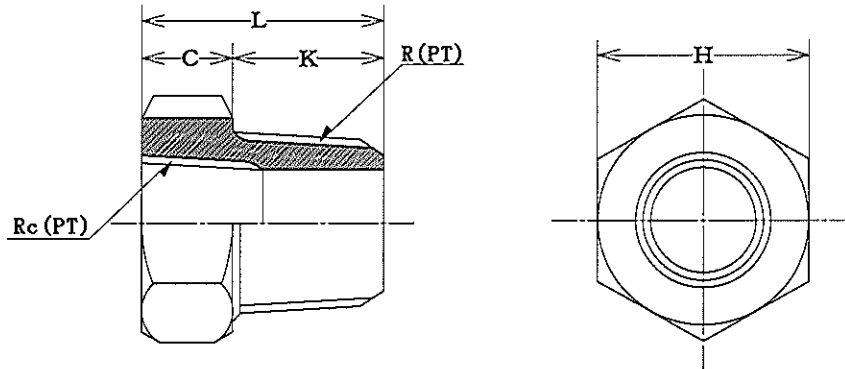




ねじ込み形ブッシング  
 THREADED BUSHINGS

**S B**  
 (BUSHINGS)

ステンレス用  
 FOR STAINLESS STEEL



S B

UNIT : mm

NOM. SIZE	R	Rc	K	C	L	H	
(A) (B)	(PT)	(PT)					
8 × 6	1/4 × 1/8	1/4	1/8	12.0	5.0	17.0	14.0
10 × 8	3/8 × 1/4	3/8	1/4	13.0	5.0	18.0	19.0
15 × 8	1/2 × 1/4	1/2	1/4	16.0	5.0	21.0	23.0
15 × 10	1/2 × 3/8	1/2	3/8	16.0	5.0	21.0	23.0
20 × 8	3/4 × 1/4	3/4	1/4	18.0	6.0	24.0	29.0
20 × 10	3/4 × 3/8	3/4	3/8	18.0	6.0	24.0	29.0
20 × 15	3/4 × 1/2	3/4	1/2	18.0	6.0	24.0	29.0
25 × 10	1 × 3/8	1	3/8	20.0	7.0	27.0	35.0
25 × 15	1 × 1/2	1	1/2	20.0	7.0	27.0	35.0
25 × 20	1 × 3/4	1	3/4	20.0	7.0	27.0	35.0
32 × 15	1-1/4 × 1/2	1-1/4	1/2	22.0	8.0	30.0	44.0
32 × 20	1-1/4 × 3/4	1-1/4	3/4	22.0	8.0	30.0	44.0
32 × 25	1-1/4 × 1	1-1/4	1	22.0	8.0	30.0	44.0
40 × 20	1-1/2 × 3/4	1-1/2	3/4	23.0	9.0	32.0	50.0
40 × 25	1-1/2 × 1	1-1/2	1	23.0	9.0	32.0	50.0
40 × 32	1-1/2 × 1-1/4	1-1/2	1-1/4	23.0	9.0	32.0	50.0
50 × 25	2 × 1	2	1	25.0	10.0	35.0	63.0
50 × 32	2 × 1-1/4	2	1-1/4	25.0	10.0	35.0	63.0
50 × 40	2 × 1-1/2	2	1-1/2	25.0	10.0	35.0	63.0

ヤマト特殊鋼株式会社  
 YAMATO SPECIAL STEEL CO., LTD.

Sheet No. JST-11

平成22年1月5更新