

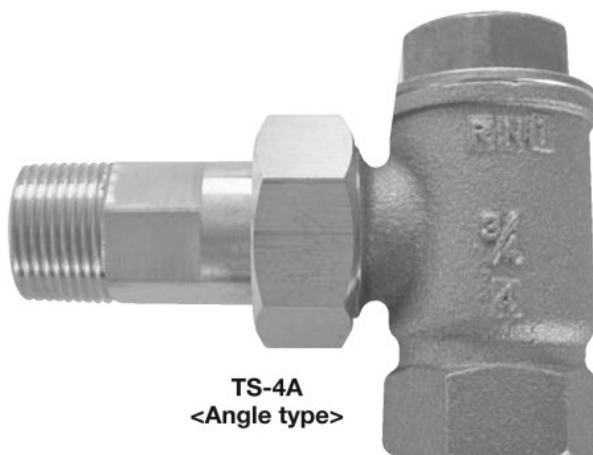
TS-4

Wax type

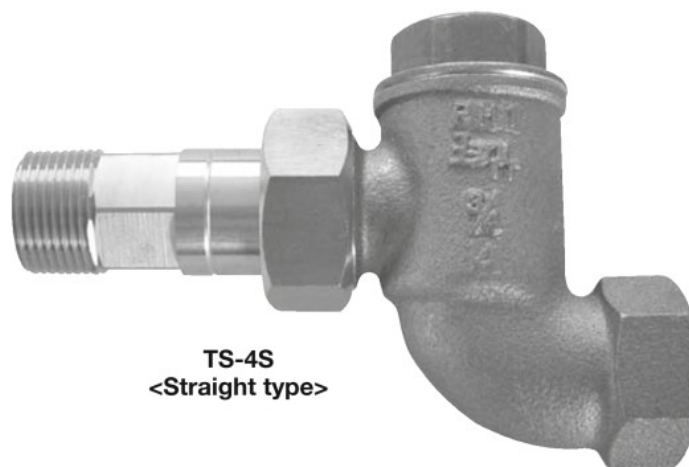
The TS-4 radiator trap uses a wax type thermoelement for the heat sensing unit and supports a working pressure of up to 0.35 MPa. It is used for a wide variety of heating equipment.

■Features

1. Compact, lightweight and reduced noise.
2. Freezing damage can be prevented since designed not to allow condensate to remain inside it.
3. Quickly discharges cold condensate and air at the start of operation.
4. Stainless steel made valve and valve seat.
Fluoresin is used for the cover gasket, making disassembly and assembly easy.



TS-4A
<Angle type>



TS-4S
<Straight type>

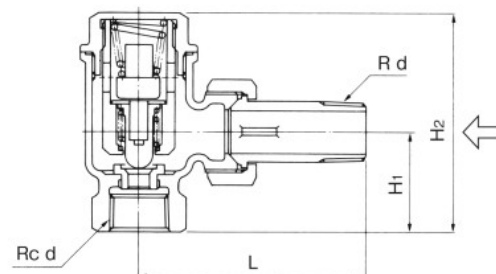
■Specifications

Application		Steam condensate
Working pressure		0.02-0.35 MPa
Maximum temperature		150°C
Material	Body	Bronze
	Valve	Stainless steel
	Valve seat	Stainless steel
	Thermoelement	Brass, others
	Union	Brass
Connection		Inlet: JIS R screwed (union joint) Outlet: JIS Rc screwed

■Dimensions (mm) and Weights (kg)

· TS-4A

Nominal size	d	L	H ₁	H ₂	Weight
15A	1/2	80	35	77.5	0.5
20A	3/4	87	41	79.5	0.7



TS-4A <Angle type>