

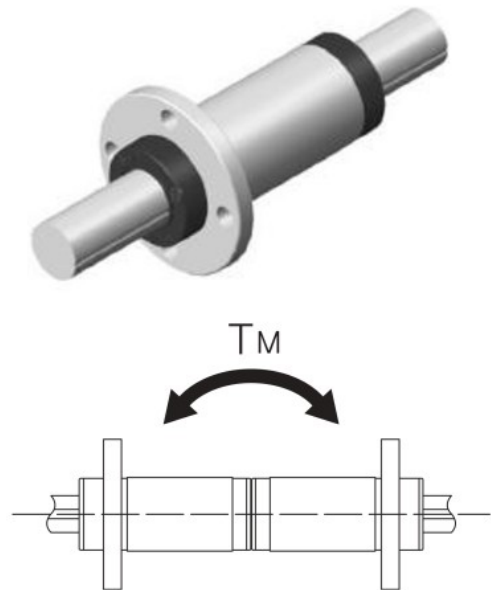
WSPFL Type

Examples of model number formation

2	WSPFL	6	-S	300	CM	H	/A
1	2	3	4	5	6	7	8

- 1** Q'ty of Nut **2** Part No. **3** Spline-shaft diameter
4 S:Solid, H:Hollow **5** Spline-shaft overall length
6 Preload : CT(Tight), CM(Middle), CL(Loose)
7 Accuracy symbol-Nomal(No symbol), High(H), Precision(P)
8 SUJ2(No symbol), Stainless steel(/A)

* When the grease nipple is necessary, please ask WON.



Part No.	Main dimensions												Length L	Max. length
	Outer Diameter D	Allowable Tolerance	L ₁	L ₂	D ₁	E	T	pcd	d ₁	d	Allowable Tolerance			
WSPFL 5	10	0 -0.009	26	17.4	23	7	2.7	17	3.4	5	0	100 150	200	
WSPFL 6	12	0	30	21.4	25	7	2.7	19	3.4	6	-0.012	150 200	300	
WSPFL 8	15	-0.011	37	26.6	28	9	3.8	22	3.4	8	0	150 200 250	500	
WSPFL 10	19		47	34.9	36	10	4.1	28	4.5	10	-0.015	150 200 250	600	
WSPFL 12	21	0 -0.013	54	42	38	10	4	30	4.5	12	0	200 300	800	
WSPFL 15	23		65	52	40	11	4.5	32	4.5	13.6	-0.018	200 300 400	1000	
WSPFL 20	30		71	54	46	14	5.5	38	4.5	18.2		300 400 500 600	1000	
WSPFL 25	37	0 -0.016	84	63.2	57	17	6.5	47	5.5	22.6	0	300 400 500 600 800	1200	
WSPFL 30	45		98	71	65	21	7.5	54	6.5	27.2	-0.021	400 500 600 700 1100		

Note(1) As for the Static load rating moment T_M , the upside figures are for the value for one nut and the downside figure are for the values for 2 nuts to be closely adhered.