

SAK 2.5/35**Weidmüller Interfaces GmbH & Co. KG**

Postfach 3030

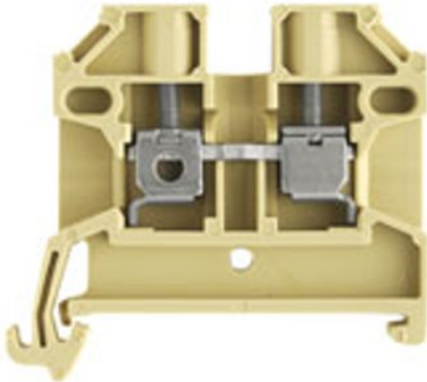
32760 Detmold

Tel. +49 5231 14-0

Fax. +49 5231 14-2083

info@weidmueller.com

www.weidmueller.com

Product image

To feed through power, signal, and data is the classical requirement in electrical engineering and panel building. The insulating material, the connection system and the design of the terminal blocks are the differentiating features. A feed-through terminal block is suitable for joining and/or connecting one or more conductors. They could have one or more connection levels that are on the same potential or insulated against one another.

General ordering data

Version	SAK Series, Feed-through terminal, Rated cross-section: 2.5 mm ² , Screw connection, beige, Direct mounting
Order No.	0380460000
Type	SAK 2.5/35
GTIN (EAN)	4008190042363
Qty.	100 pc(s).